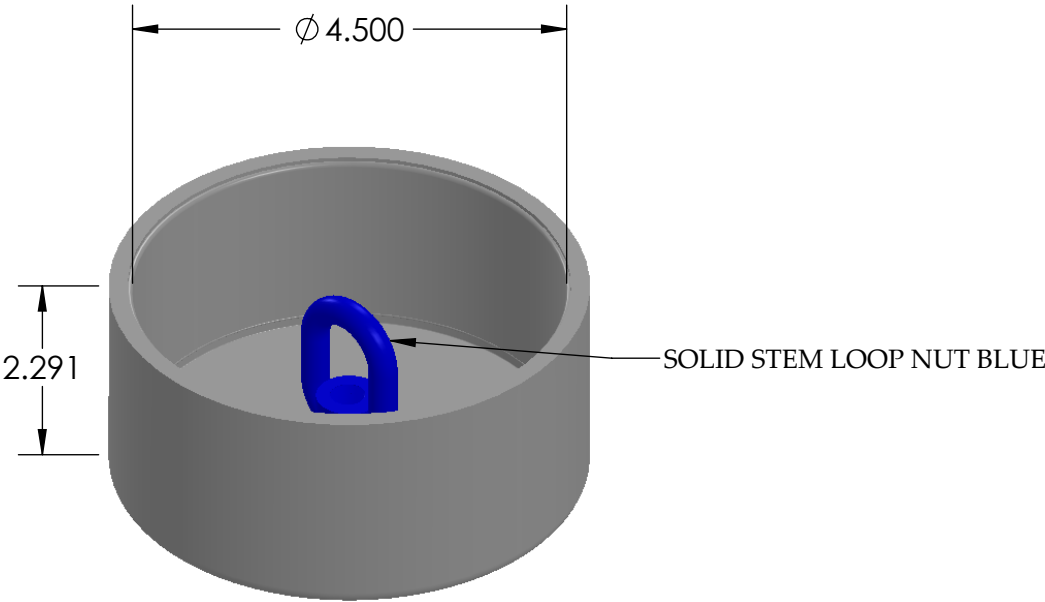



REV	CHANGE	DATE
B	IMAGE ENHANCEMENT	11/02/15



PROPRIETARY AND CONFIDENTIAL
 THE INFORMATION CONTAINED IN THIS DRAWING IS THE SOLE PROPERTY OF CALAM MFG. ANY REPRODUCTION IN PART OR AS A WHOLE WITHOUT THE WRITTEN PERMISSION OF CALAM MFG. IS PROHIBITED.

		UNLESS OTHERWISE SPECIFIED:		NAME	DATE			
		DIMENSIONS ARE IN INCHES	DRAWN	HUIZAR	06/02/14			
		TOLERANCES:	CHECKED	F.GRO	06/02/14			
		FRACTIONAL: ±1/64	ENG APPR.					
		ANGULAR: 0.125°	MFG APPR.					
		TWO PLACE DECIMAL ±0.010	Q.A.			TITLE: 4" RISER CAPS		
		THREE PLACE DECIMAL ±0.005	COMMENTS:					
		INTERPRET GEOMETRIC TOLERANCING PER:				SIZE	DWG. NO.	REV
		MATERIAL				A	2042-040	B
		GRAY PVC						
		FINISH						
NEXT ASSY	USED ON					SCALE:	WEIGHT:	SHEET 1 OF 1
	APPLICATION	DO NOT SCALE DRAWING						