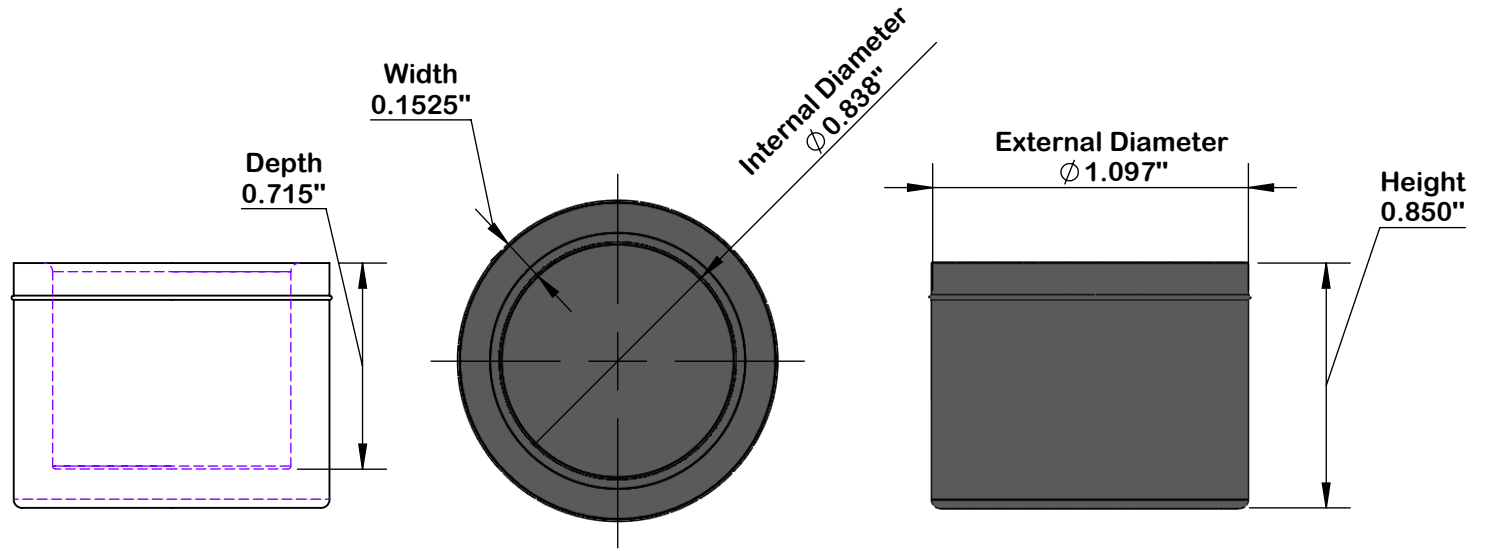


1/2" CAPS PVC SCH 40 SPEC SHEET



CONDUIT COMPATIBILITY
TC - 7
SCH. - 40
SCH. - 80
SDR - 9
SDR - 11
SDR- 13.5

Conduit in Cap demonstration



<http://calam.net>

<p>PROPRIETARY AND CONFIDENTIAL</p> <p>THE INFORMATION CONTAINED IN THIS DRAWING IS THE SOLE PROPERTY OF <CALAM MANUFACTURING>. ANY REPRODUCTION IN PART OR AS A WHOLE WITHOUT THE WRITTEN PERMISSION OF <CALAM MANUFACTURING> IS PROHIBITED.</p>	NAME	DATE	<p>Part #: 2046-005</p>	
	DRAWN	TPE ENGINEERING		12/05/18
	UNLESS OTHERWISE SPECIFIED:			<p>MATERIAL:</p> <p>PVC (GRAY)</p>
	DIMENSIONS ARE IN INCHES TOLERANCES: \pm .010"			
COLOR: GRAY				