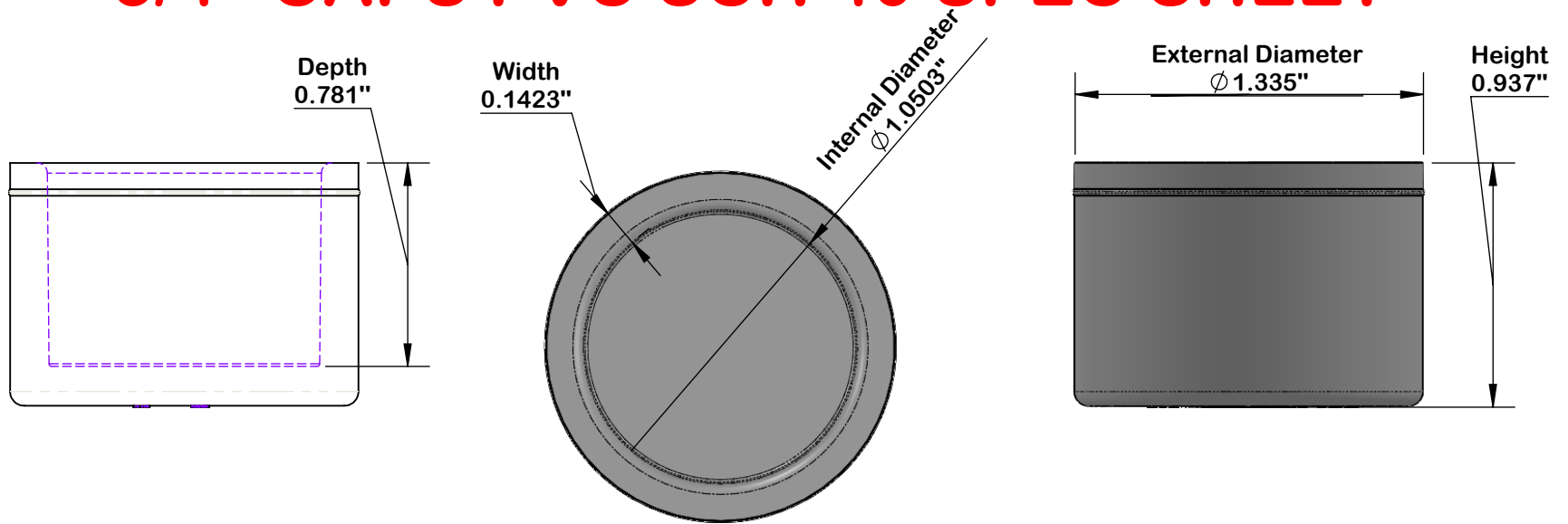
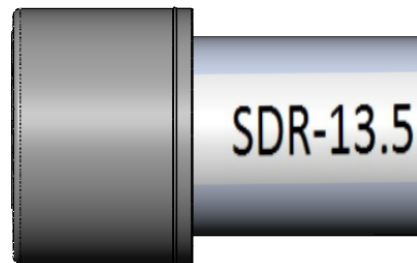


# 3/4" CAPS PVC SCH 40 SPEC SHEET



## Conduit in Cap demonstration

CONDUIT COMPATIBILITY
SDR - 9
SDR - 11
SDR - 13.5
SDR - 17
TC - 7
SCH. - 40
SCH. - 80



<http://calam.net>

**PROPRIETARY AND CONFIDENTIAL**

THE INFORMATION CONTAINED IN THIS DRAWING IS THE SOLE PROPERTY OF <CALAM MANUFACTURING>. ANY REPRODUCTION IN PART OR AS A WHOLE WITHOUT THE WRITTEN PERMISSION OF <CALAM MANUFACTURING> IS PROHIBITED.

	NAME	DATE
DRAWN	TPE ENGINEERING	12/12/18
UNLESS OTHERWISE SPECIFIED:		
DIMENSIONS ARE IN INCHES TOLERANCES: $\pm$ .010"		
COLOR: GRAY		

Part #: **2046-007**

MATERIAL:  
**PVC (GRAY)**