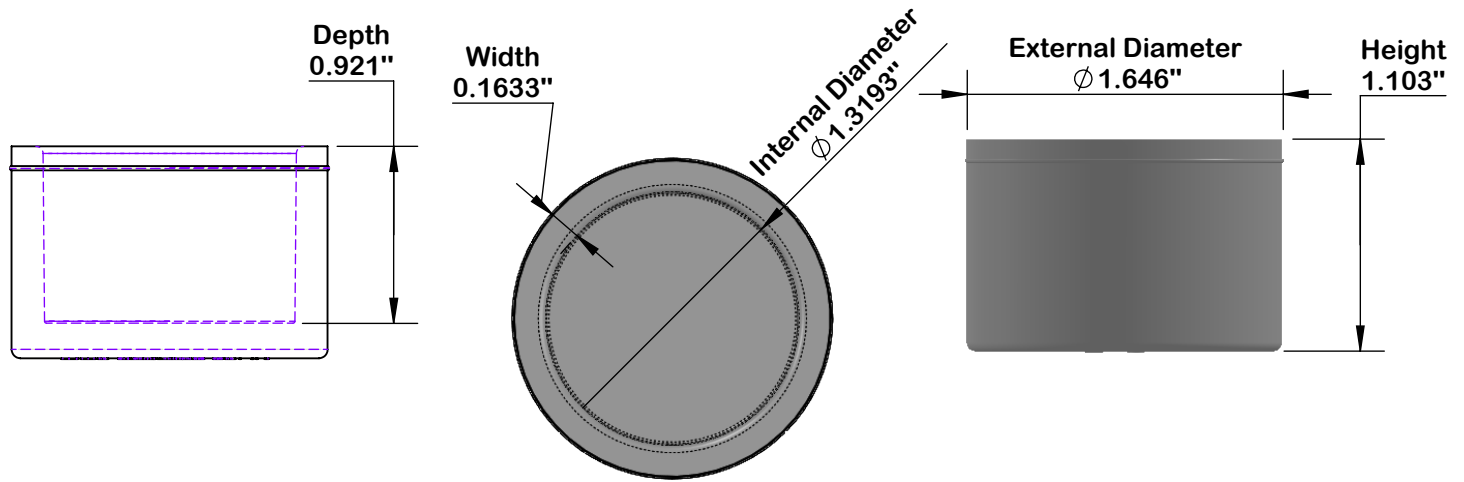


1" CAPS PVC SCH 40 SPEC SHEET



CONDUIT COMPATIBILITY
SDR - 9
SDR - 11
SDR - 13.5
SDR - 15.5
SDR - 17
SCH. - 40
SCH. - 80
TC - 7

Conduit in Cap demonstration



<http://calam.net>

<p>PROPRIETARY AND CONFIDENTIAL</p> <p>THE INFORMATION CONTAINED IN THIS DRAWING IS THE SOLE PROPERTY OF <CALAM MANUFACTURING>. ANY REPRODUCTION IN PART OR AS A WHOLE WITHOUT THE WRITTEN PERMISSION OF <CALAM MANUFACTURING> IS PROHIBITED.</p>	NAME	DATE	Part #: <h1>2046-010</h1>	
	DRAWN	TPE ENGINEERING		12/13/18
	UNLESS OTHERWISE SPECIFIED:			MATERIAL: <h1>PVC (GRAY)</h1>
	DIMENSIONS ARE IN INCHES TOLERANCES: \pm .010"			
COLOR: GRAY				