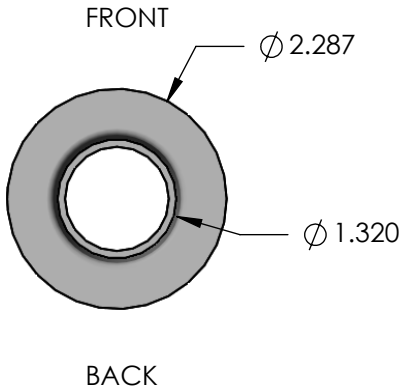
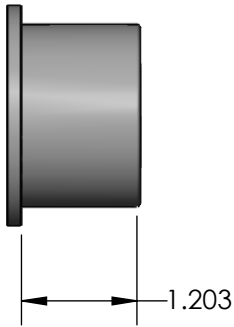
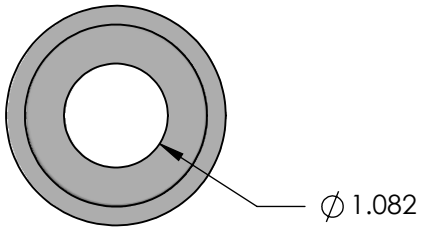
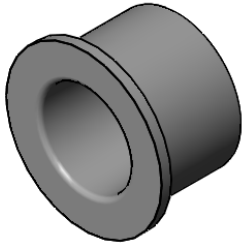



REV	CHANGE	DATE
B	IMAGE ENHANCEMENT	11/14/15



ISOMETRIC



**PROPRIETARY AND CONFIDENTIAL**  
 THE INFORMATION CONTAINED IN THIS DRAWING IS THE SOLE PROPERTY OF CALAM MFG. ANY REPRODUCTION IN PART OR AS A WHOLE WITHOUT THE WRITTEN PERMISSION OF CALAM MFG. IS PROHIBITED.

		UNLESS OTHERWISE SPECIFIED:		NAME	DATE	
		DIMENSIONS ARE IN INCHES TOLERANCES: FRACTIONAL: $\pm 1/64$ ANGULAR: 0.125° TWO PLACE DECIMAL $\pm 0.010$ THREE PLACE DECIMAL $\pm 0.005$	DRAWN	HUIZAR	06/02/14	
		INTERPRET GEOMETRIC TOLERANCING PER:	CHECKED	F.GRO	06/02/14	
		MATERIAL GRAY PVC	ENG APPR.			
		FINISH	MFG APPR.			
NEXT ASSY	USED ON		Q.A.			<b>SIZE</b> <b>A</b>
APPLICATION		DO NOT SCALE DRAWING	COMMENTS:			
						<b>REV</b> <b>B</b>
						<b>SCALE:</b> 
						<b>WEIGHT:</b> 
						<b>SHEET 1 OF 1</b>