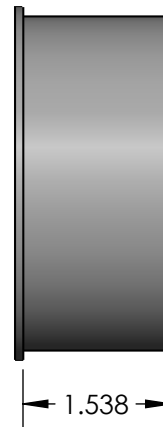
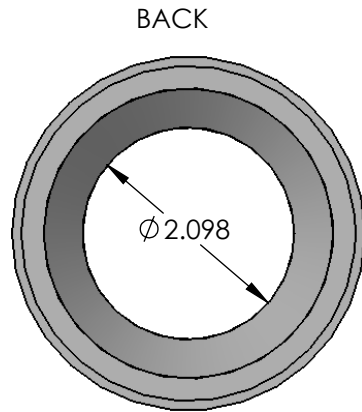



REV	CHANGE	DATE
B	IMAGE ENHANCEMENT	11/12/15



**PROPRIETARY AND CONFIDENTIAL**  
 THE INFORMATION CONTAINED IN THIS DRAWING IS THE SOLE PROPERTY OF CALAM MFG. ANY REPRODUCTION IN PART OR AS A WHOLE WITHOUT THE WRITTEN PERMISSION OF CALAM MFG. IS PROHIBITED.

		UNLESS OTHERWISE SPECIFIED:	NAME	DATE		
		DIMENSIONS ARE IN INCHES TOLERANCES: FRACTIONAL: $\pm 1/64$ ANGULAR: $0.125^\circ$ TWO PLACE DECIMAL $\pm 0.010$ THREE PLACE DECIMAL $\pm 0.005$	DRAWN	HUIZAR		
		INTERPRET GEOMETRIC TOLERANCING PER:	CHECKED	F.GRO	06/02/14	TITLE:  3" X 2" REDUCER BUSHING
		MATERIAL GRAY PVC	ENG APPR.			
		FINISH	MFG APPR.			
NEXT ASSY	USED ON		Q.A.			SIZE <b>A</b>
APPLICATION		DO NOT SCALE DRAWING	COMMENTS:			DWG. NO. 2048-320
						REV <b>B</b>
						SCALE:
						WEIGHT:
						SHEET 1 OF 1