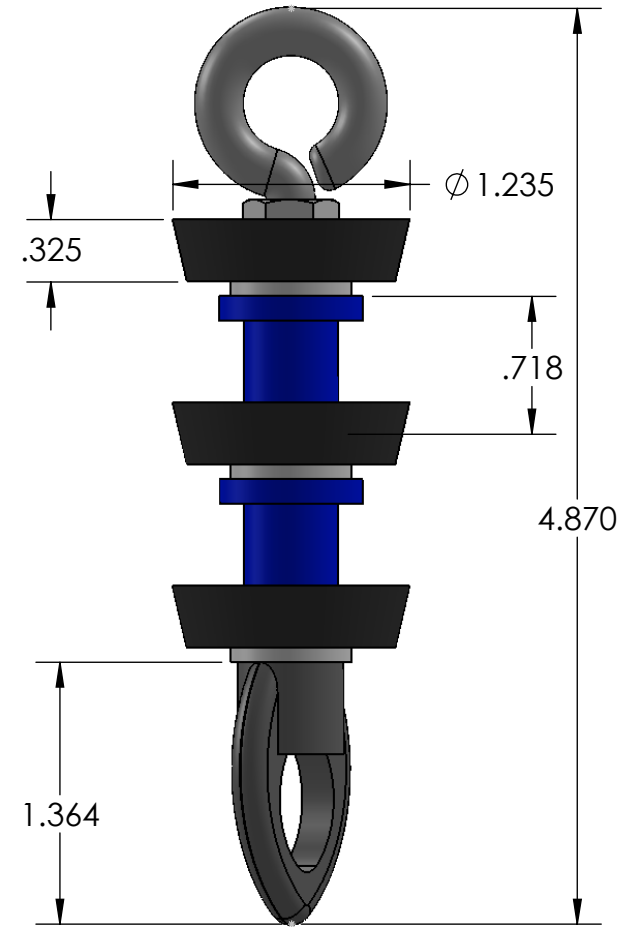
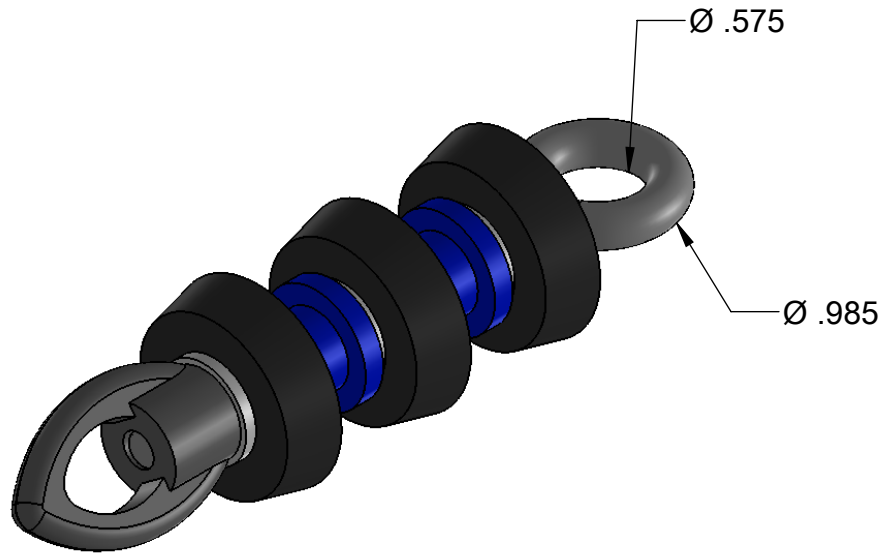



REV	CHANGE	DATE



PROPRIETARY AND CONFIDENTIAL
 THE INFORMATION CONTAINED IN THIS DRAWING IS THE SOLE PROPERTY OF CALAM MFG. ANY REPRODUCTION IN PART OR AS A WHOLE WITHOUT THE WRITTEN PERMISSION OF CALAM MFG. IS PROHIBITED.

		UNLESS OTHERWISE SPECIFIED:	NAME	DATE			
		DIMENSIONS ARE IN INCHES TOLERANCES: FRACTIONAL ± ANGULAR: MACH ± BEND ± TWO PLACE DECIMAL ± THREE PLACE DECIMAL ±	DRAWN	HUIZAR 08/07/15			TITLE:
		INTERPRET GEOMETRIC TOLERANCING PER:	CHECKED	F.GRO 08/07/15	INNER CUP PROJECTILE 1 1/4"		
		MATERIAL	ENG APPR.				
		FINISH	MFG APPR.		SIZE	DWG. NO.	REV
NEXT ASSY	USED ON		Q.A.		A	2120-012	A
APPLICATION		DO NOT SCALE DRAWING	COMMENTS:		SCALE:	WEIGHT:	SHEET 1 OF 1

5

4

3

2

1