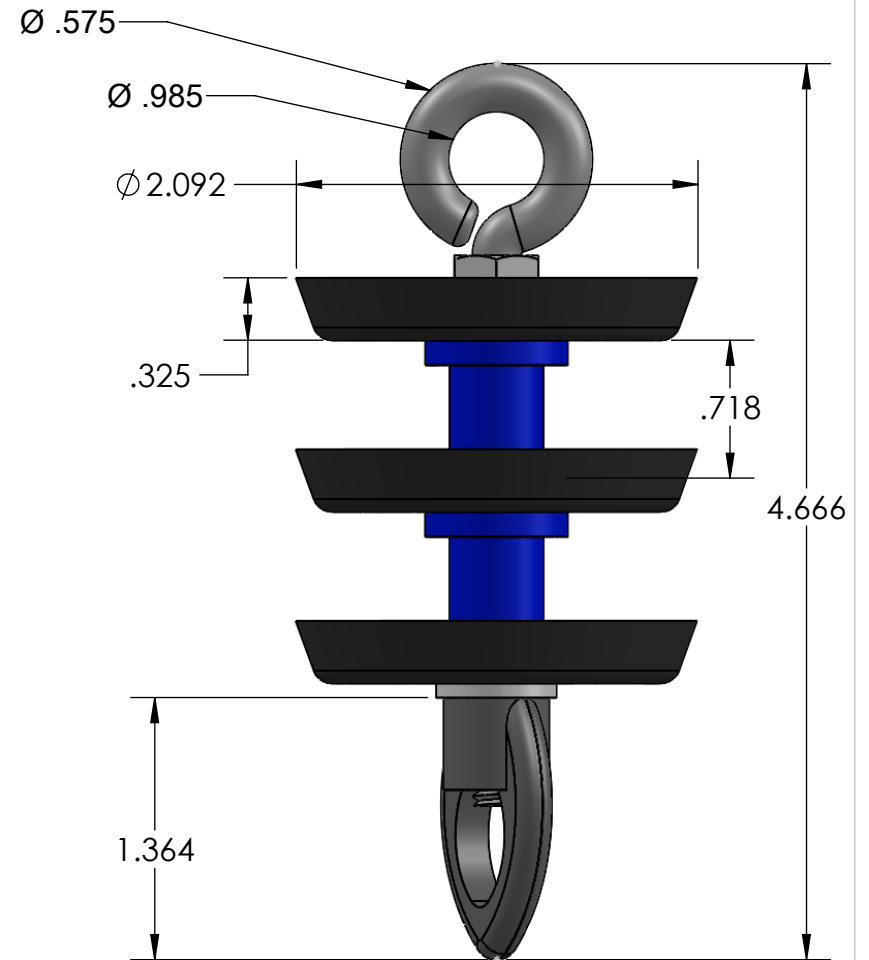
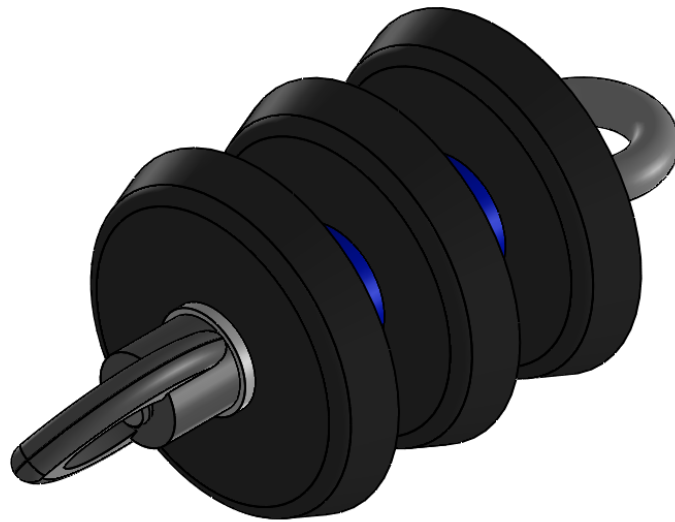



REV	CHANGE	DATE



**PROPRIETARY AND CONFIDENTIAL**  
 THE INFORMATION CONTAINED IN THIS DRAWING IS THE SOLE PROPERTY OF CALAM MFG. ANY REPRODUCTION IN PART OR AS A WHOLE WITHOUT THE WRITTEN PERMISSION OF CALAM MFG. IS PROHIBITED.

		UNLESS OTHERWISE SPECIFIED:	NAME	DATE		
		DIMENSIONS ARE IN INCHES TOLERANCES: FRACTIONAL ± ANGULAR: MACH ± BEND ± TWO PLACE DECIMAL ± THREE PLACE DECIMAL ±	DRAWN	HUIZAR 08/17/15		
		INTERPRET GEOMETRIC TOLERANCING PER:	CHECKED	F.GRO 08/17/15	<b>INN CUP PROJECTILE          2"</b>	
		MATERIAL	ENG APPR.			
		FINISH	MFG APPR.		SIZE	DWG. NO.
NEXT ASSY	USED ON		Q.A.		<b>A</b>	2120-020
APPLICATION		DO NOT SCALE DRAWING	COMMENTS:		REV	
					<b>A</b>	
					WEIGHT:	SHEET 1 OF 1

5

4

3

2

1