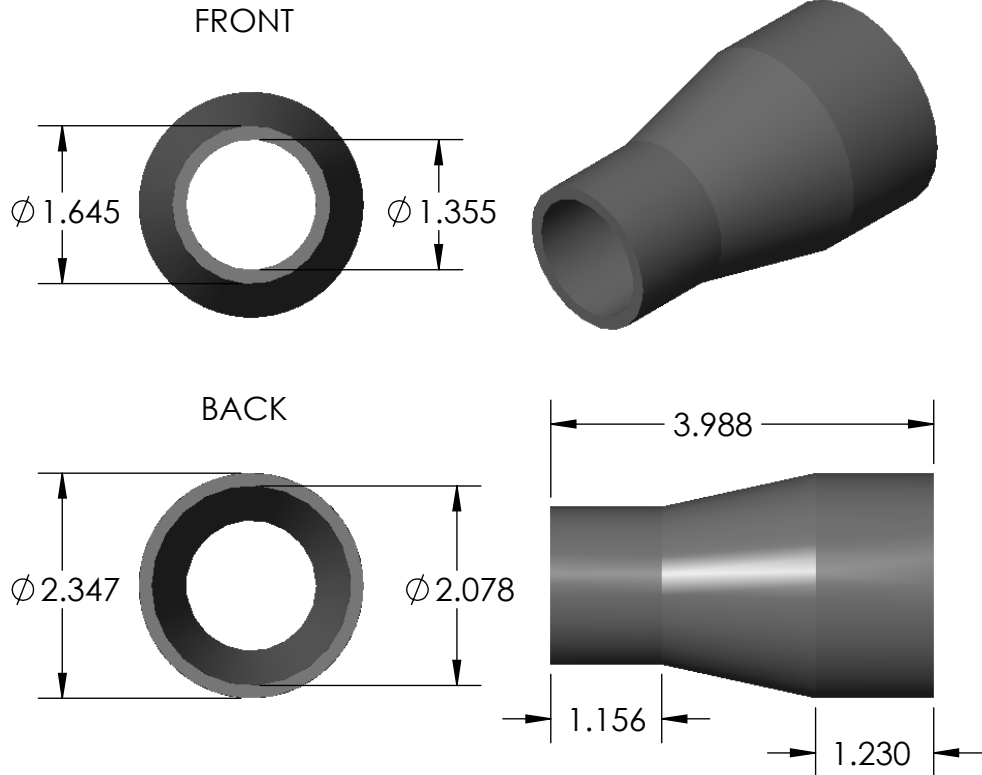


REV	CHANGE	DATE
B	IMAGE ENHANCEMENT	11/17/15

ISOMETRIC



**PROPRIETARY AND CONFIDENTIAL**  
 THE INFORMATION CONTAINED IN THIS DRAWING IS THE SOLE PROPERTY OF CALAM MFG. ANY REPRODUCTION IN PART OR AS A WHOLE WITHOUT THE WRITTEN PERMISSION OF CALAM MFG. IS PROHIBITED.

		UNLESS OTHERWISE SPECIFIED:		NAME	DATE
		DIMENSIONS ARE IN INCHES	DRAWN	HUIZAR	06/02/14
		TOLERANCES:	CHECKED	F.GRO	06/02/14
		FRACTIONAL: $\pm 1/64$	ENG APPR.		
		ANGULAR: $0.125^\circ$	MFG APPR.		
		TWO PLACE DECIMAL $\pm 0.010$	Q.A.		
		THREE PLACE DECIMAL $\pm 0.005$	COMMENTS:		
		INTERPRET GEOMETRIC TOLERANCING PER:			
		MATERIAL			
		GRAY PVC			
		FINISH			
NEXT ASSY	USED ON				
APPLICATION		DO NOT SCALE DRAWING			



TITLE:  
 2" X 1 1/4" SWEDGED REDUCERS,  
 SCH 40 MALE SPIGOT

SIZE A	DWG. NO. 3246-202	REV B
-----------	----------------------	----------

SCALE:	WEIGHT:	SHEET 1 OF 1
--------	---------	--------------