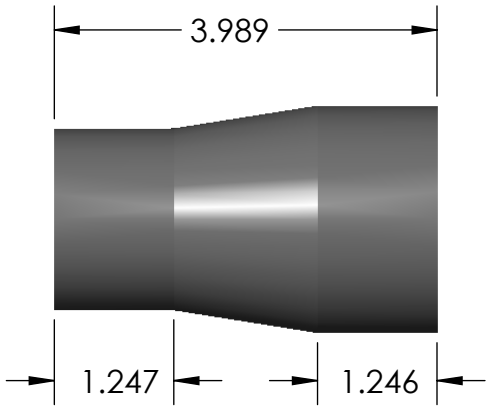
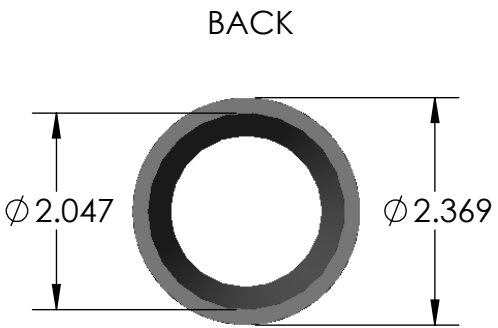
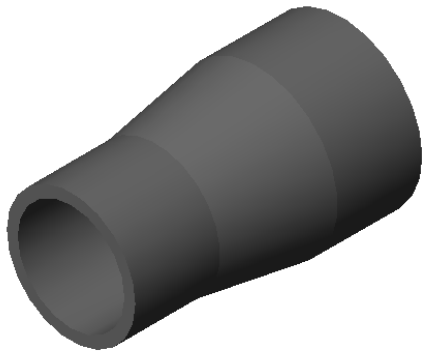
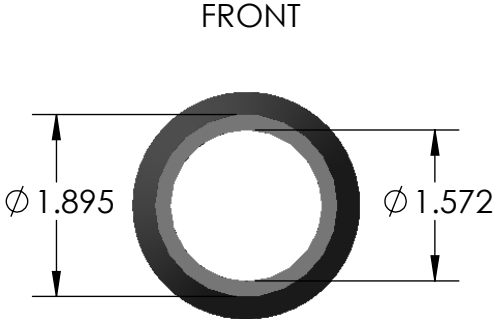


REV	CHANGE	DATE
B	IMAGE ENHANCEMENT	11/17/15

ISOMETRIC



PROPRIETARY AND CONFIDENTIAL
 THE INFORMATION CONTAINED IN THIS DRAWING IS THE SOLE PROPERTY OF CALAM MFG. ANY REPRODUCTION IN PART OR AS A WHOLE WITHOUT THE WRITTEN PERMISSION OF CALAM MFG. IS PROHIBITED.

		UNLESS OTHERWISE SPECIFIED:	NAME	DATE
		DIMENSIONS ARE IN INCHES	DRAWN	HUIZAR 06/02/14
		TOLERANCES:	CHECKED	F.GRO 06/02/14
		FRACTIONAL: $\pm 1/64$	ENG APPR.	
		ANGULAR: 0.125°	MFG APPR.	
		TWO PLACE DECIMAL ± 0.010	Q.A.	
		THREE PLACE DECIMAL ± 0.005	COMMENTS:	
		INTERPRET GEOMETRIC TOLERANCING PER:		
		MATERIAL		
		GRAY PVC		
		FINISH		
NEXT ASSY	USED ON			
APPLICATION		DO NOT SCALE DRAWING		



TITLE:
 2" X 1 1/2" SWEDGED REDUCERS,
 SCH 40 MALE SPIGOT

SIZE A	DWG. NO. 3246-215	REV B
-----------	----------------------	----------

SCALE:	WEIGHT:	SHEET 1 OF 1
--------	---------	--------------