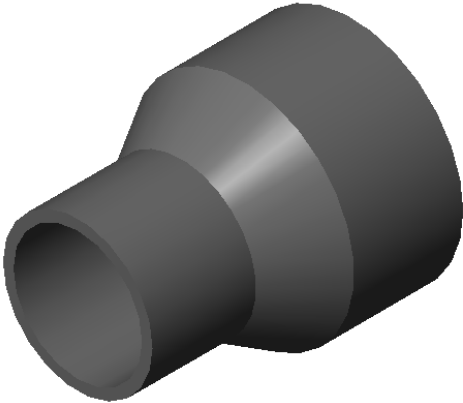
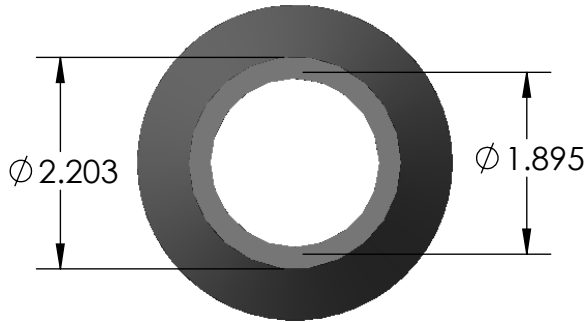


REV	CHANGE	DATE
B	IMAGE ENHANCEMENT	11/17/15

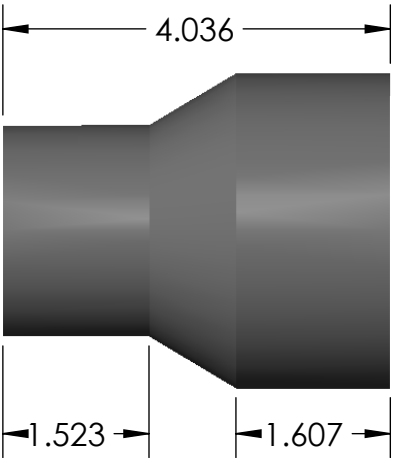
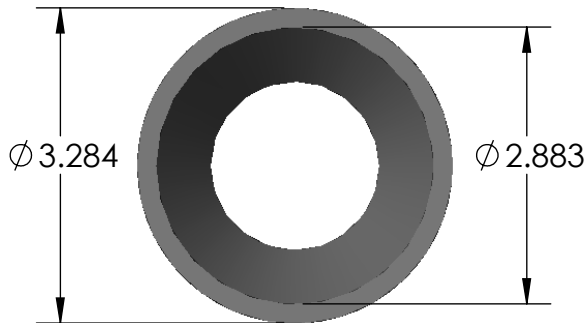
ISOMETRIC



FRONT



BACK



PROPRIETARY AND CONFIDENTIAL
 THE INFORMATION CONTAINED IN THIS DRAWING IS THE SOLE PROPERTY OF CALAM MFG. ANY REPRODUCTION IN PART OR AS A WHOLE WITHOUT THE WRITTEN PERMISSION OF CALAM MFG. IS PROHIBITED.

		UNLESS OTHERWISE SPECIFIED:	NAME	DATE
		DIMENSIONS ARE IN INCHES	DRAWN	HUIZAR 06/02/14
		TOLERANCES:	CHECKED	F.GRO 06/02/14
		FRACTIONAL: ±1/64	ENG APPR.	
		ANGULAR: 0.125°	MFG APPR.	
		TWO PLACE DECIMAL ±0.010	Q.A.	
		THREE PLACE DECIMAL ±0.005	COMMENTS:	
		INTERPRET GEOMETRIC TOLERANCING PER:		
		MATERIAL		
		GRAY PVC		
		FINISH		
NEXT ASSY	USED ON			
APPLICATION		DO NOT SCALE DRAWING		



TITLE:
 2 1/2" S X 1 1/2" S SWEDGED REDUCERS, SCH 40 SOCKET

SIZE **A** DWG. NO. 3247-2515S REV **B**

SCALE: WEIGHT: SHEET 1 OF 1