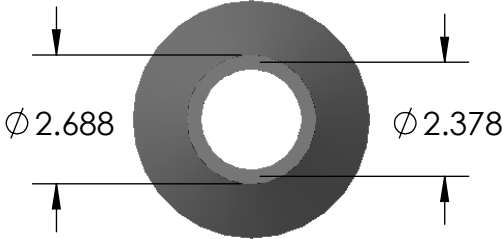
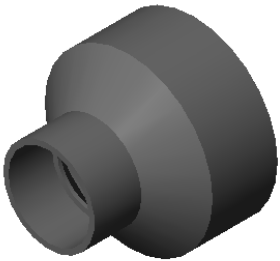


REV	CHANGE	DATE
B	IMAGE ENHANCEMENT	11/17/15

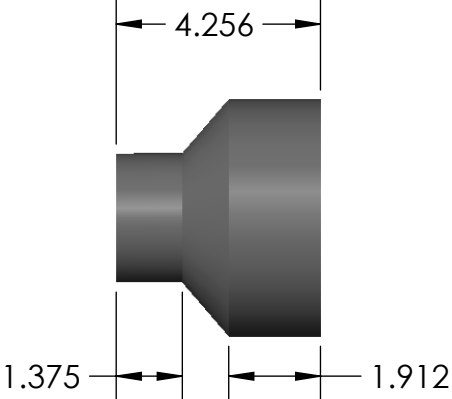
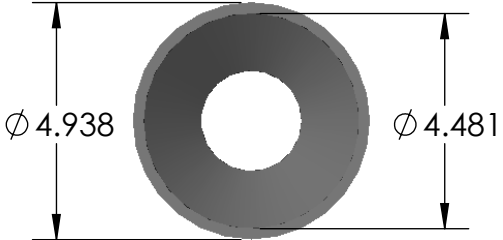
FRONT



ISOMETRIC



BACK



**PROPRIETARY AND CONFIDENTIAL**  
 THE INFORMATION CONTAINED IN THIS DRAWING IS THE SOLE PROPERTY OF CALAM MFG. ANY REPRODUCTION IN PART OR AS A WHOLE WITHOUT THE WRITTEN PERMISSION OF CALAM MFG. IS PROHIBITED.

		UNLESS OTHERWISE SPECIFIED:		NAME	DATE
		DIMENSIONS ARE IN INCHES	DRAWN	HUIZAR	06/02/14
		TOLERANCES:	CHECKED	F.GRO	06/02/14
		FRACTIONAL: $\pm 1/64$	ENG APPR.		
		ANGULAR: $0.125^\circ$	MFG APPR.		
		TWO PLACE DECIMAL $\pm 0.010$	Q.A.		
		THREE PLACE DECIMAL $\pm 0.005$	COMMENTS:		
		INTERPRET GEOMETRIC TOLERANCING PER:			
		MATERIAL			
		GRAY PVC			
NEXT ASSY	USED ON	FINISH			
APPLICATION		DO NOT SCALE DRAWING			



TITLE:  
**4" S X 2" S SWEDGED REDUCERS, SCH 40 SOCKET**

SIZE **A** DWG. NO. **3247-4020S** REV **B**

SCALE: WEIGHT: SHEET 1 OF 1