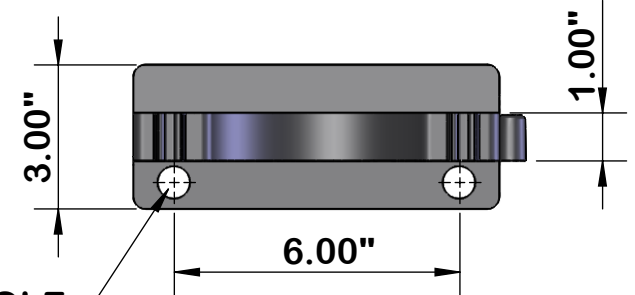
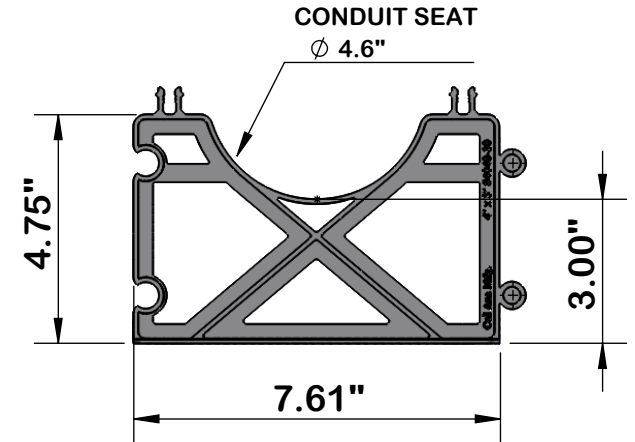
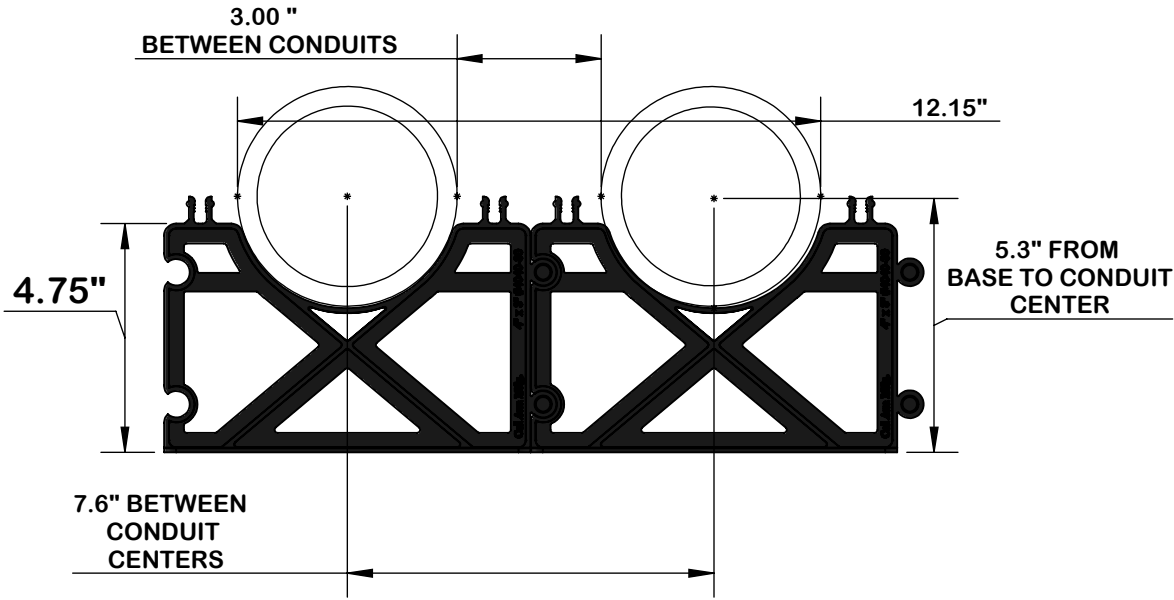


4" x 3" SPACER BASE



REBAR HOLE
Ø .625"



<http://calam.net>

<p>PROPRIETARY AND CONFIDENTIAL</p> <p>THE INFORMATION CONTAINED IN THIS DRAWING IS THE SOLE PROPERTY OF <CALAM MANUFACTURING>. ANY REPRODUCTION IN PART OR AS A WHOLE WITHOUT THE WRITTEN PERMISSION OF <CALAM MANUFACTURING> IS PROHIBITED.</p>	NAME	DATE	<p>Part #:</p> <h2>4040-30</h2>	
	DRAWN	TPE ENGINEERING		2/07/18
	<p>UNLESS OTHERWISE SPECIFIED:</p>			<p>MATERIAL:</p> <h2>HIPS (BLACK)</h2>
	<p>DIMENSIONS ARE IN INCHES TOLERANCES: ± .010"</p>			
<p>COLOR: BLACK</p>				