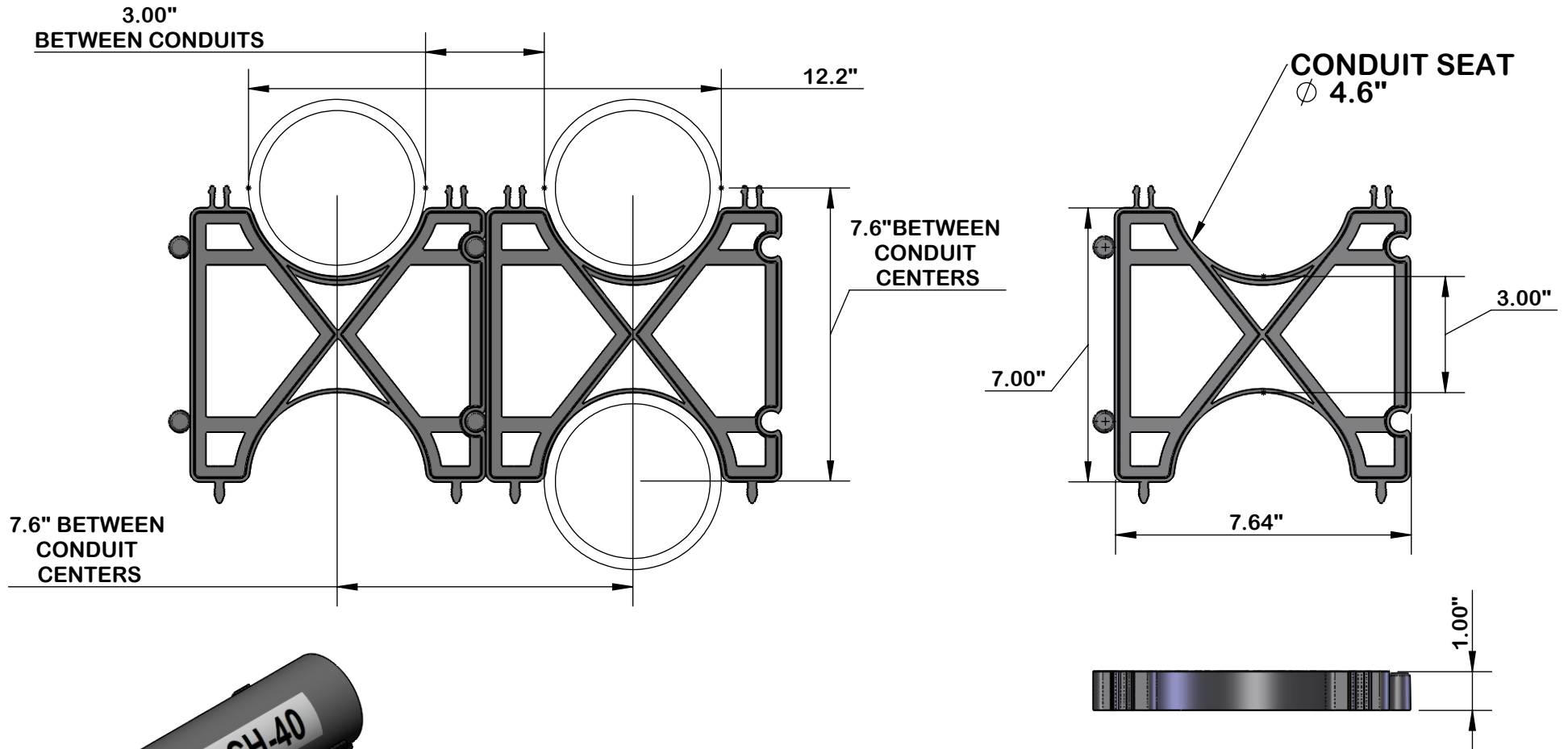


4" x 3" SPACER INTERMEDIATE



<http://calam.net>

<p>PROPRIETARY AND CONFIDENTIAL</p> <p>THE INFORMATION CONTAINED IN THIS DRAWING IS THE SOLE PROPERTY OF <CALAM MANUFACTURING>. ANY REPRODUCTION IN PART OR AS A WHOLE WITHOUT THE WRITTEN PERMISSION OF <CALAM MANUFACTURING> IS PROHIBITED.</p>	NAME	DATE	<p>Part #:</p> <h2>4140-30</h2>	
	DRAWN	TPE ENGINEERING		2/07/18
	UNLESS OTHERWISE SPECIFIED:			<p>MATERIAL:</p> <h2>HIPS (BLACK)</h2>
	DIMENSIONS ARE IN INCHES TOLERANCES: $\pm .010$ "			
COLOR: BLACK				