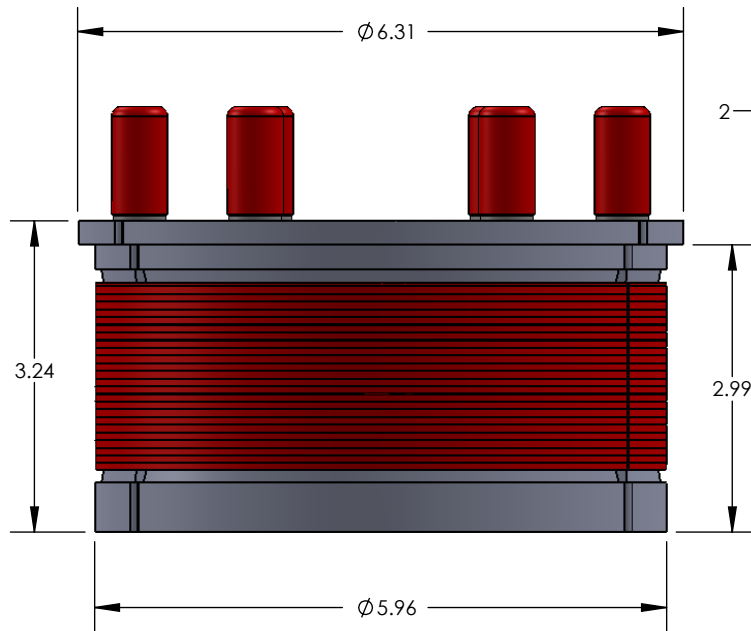
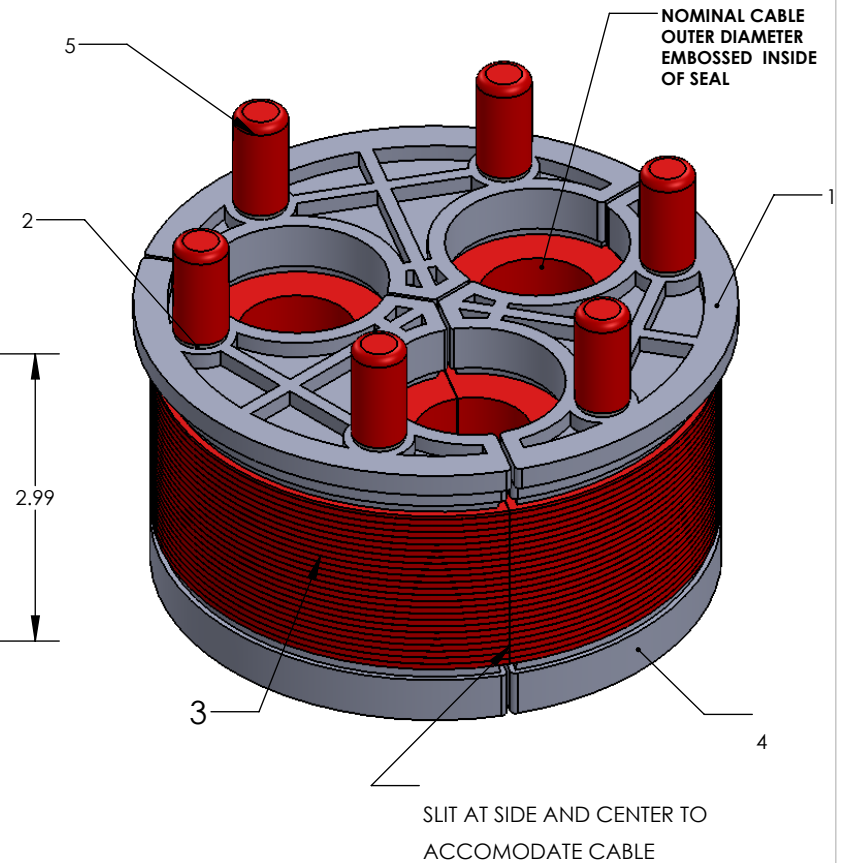


PART NO.	NOM CABLE OD	RANGE
7360-195	1.95	1.93 - 1.97
7360-190	1.90	1.88 - 1.92
7360-185	1.85	1.83 - 1.87
7360-180	1.80	1.78 - 1.82
7360-175	1.75	1.73 - 1.77
7360-170	1.70	1.68 - 1.72
7360-165	1.65	1.63 - 1.67
7360-160	1.60	1.58 - 1.62
7360-155	1.55	1.53 - 1.57
7360-150	1.50	1.48 - 1.52
7360-145	1.45	1.43 - 1.47
7360-140	1.40	1.38 - 1.42
7360-135	1.35	1.33 - 1.37
7360-130	1.30	1.28 - 1.32
7360-125	1.25	1.23 - 1.27
7360-120	1.20	1.18 - 1.22
7360-115	1.15	1.13 - 1.17
7360-110	1.10	1.08 - 1.12
7360-105	1.05	1.03 - 1.07
7360-100	1.00	0.98 - 1.02
7360-095	0.95	0.93 - 0.97
7360-090	0.90	0.88 - 0.92
7360-085	0.85	0.83 - 0.87
7360-080	0.80	0.78 - 0.82
7360-075	0.75	0.73 - 0.77



Rev.	Change	Date
B	Seal from black to red. same properties	3/01/16



- 1:** Top compression plate - PVC
- 2:** Stainless steel washer bolt and coupling
- 3:** Thermoplastic elastomer seal. Red
- 4:** Bottom compression plate - PVC
- 5:** Bolt & coupling protector PVC

**PROPRIETARY AND CONFIDENTIAL**  
 THE INFORMATION CONTAINED IN THIS DRAWING IS THE SOLE PROPERTY OF CAL AM MFG. ANY REPRODUCTION IN PART OR AS A WHOLE WITHOUT THE WRITTEN PERMISSION OF CAL AM MFG. IS PROHIBITED.

UNLESS OTHERWISE SPECIFIED:		NAME	DATE
DIMENSIONS ARE IN INCHES	DRAWN	E.GARCIA	06/02/14
TOLERANCES:	CHECKED	F.GRO	06/02/14
FRACTIONAL ±.5			
TWO PLACE DECIMAL ±.010	MFG APPR.	B.ARNOLD	06/02/14
THREE PLACE DECIMAL ±.005	COMMENTS:		
FOUR PLACE DECIMAL ±.0005			
INTERPRET GEOMETRIC TOLERANCING PER: INCHES			
DO NOT SCALE DRAWING			



TITLE:			<b>WEDGE SEAL 3-WAY 6" DUCT SCH. 40. UNDERGROUND FIBER OPTIC/ELECTRIC SEAL</b>
SIZE	DWG. NO.	REV	
<b>A</b>	<b>1736XXX</b>	<b>B</b>	
			SHEET 1 OF 1