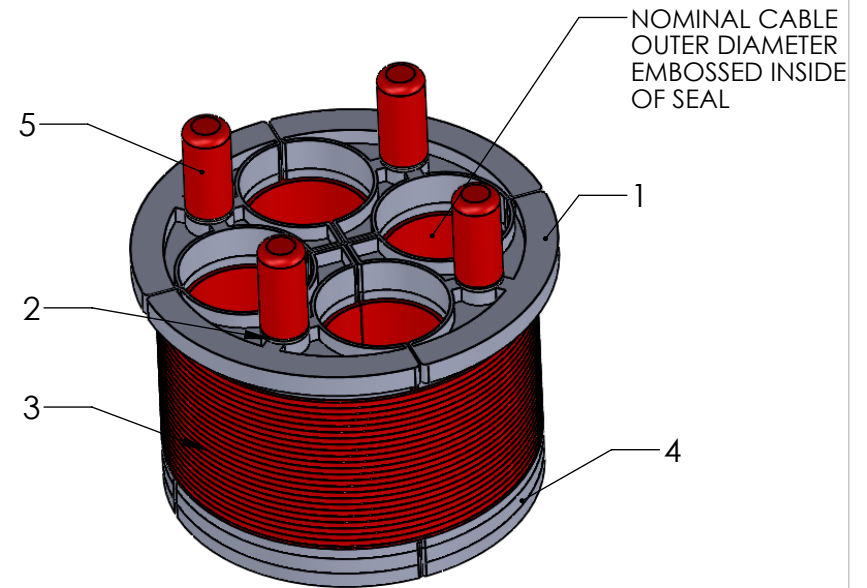
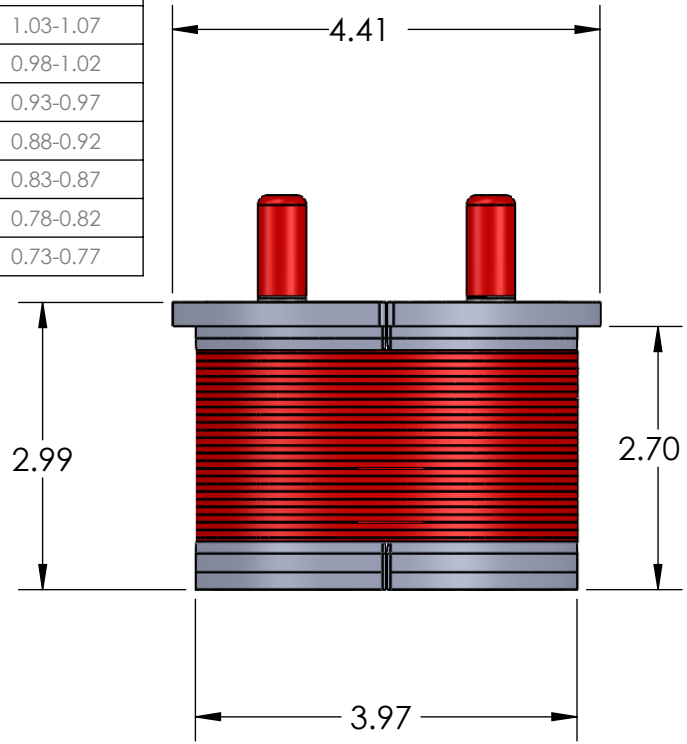


PART NO.	NOM CABLE OD	RANGE
7440-130	1.30	1.28-1.32
7440-125	1.25	1.23-1.27
7440-120	1.20	1.18-1.22
7440-115	1.15	1.13-1.17
7440-110	1.10	1.08-1.12
7440-105	1.05	1.03-1.07
7440-100	1.00	0.98-1.02
7440-095	0.95	0.93-0.97
7440-090	0.90	0.88-0.92
7440-085	0.85	0.83-0.87
7440-080	0.80	0.78-0.82
7440-075	0.75	0.73-0.77

Rev.	Change	Date
B	Seal from black to red. Same properties	3/01/16



SLIT AT SIDE AND CENTER TO ACCOMODATE CABLE

- 1: Top compression plate - PVC
- 2: Stainless steel washer bolt and coupling
- 3: Thermoplastic elastomer seal. Red
- 4: Bottom compression plate - PVC
- 5: Bolt & coupling protector PVC

PROPRIETARY AND CONFIDENTIAL
 THE INFORMATION CONTAINED IN THIS DRAWING IS THE SOLE PROPERTY OF CAL AM MFG. ANY REPRODUCTION IN PART OR AS A WHOLE WITHOUT THE WRITTEN PERMISSION OF CAL AM MFG. IS PROHIBITED.

UNLESS OTHERWISE SPECIFIED:		NAME	DATE
DIMENSIONS ARE IN INCHES		DRAWN	E.GARCIA 02/06/14
TOLERANCES:		CHECKED	F.GRO 02/06/14
FRACTIONAL ±.5			
TWO PLACE DECIMAL ±.010		MFG APPR.	B.ARNOLD 02/06/14
THREE PLACE DECIMAL ±.005		ANN.	INCHES
FOUR PLACE DECIMAL ±.0005		COMMENTS:	
INTERPRET GEOMETRIC TOLERANCING PER: INCHES			
DO NOT SCALE DRAWING			



TITLE: WEDGE SEAL 4-WAY 4" DUCT SCH. 40. UNDERGROUND FIBER OPTIC/ELECTRIC SEAL		
SIZE A	DWG. NO. 1744XXX	REV A
		SHEET 1 OF 1