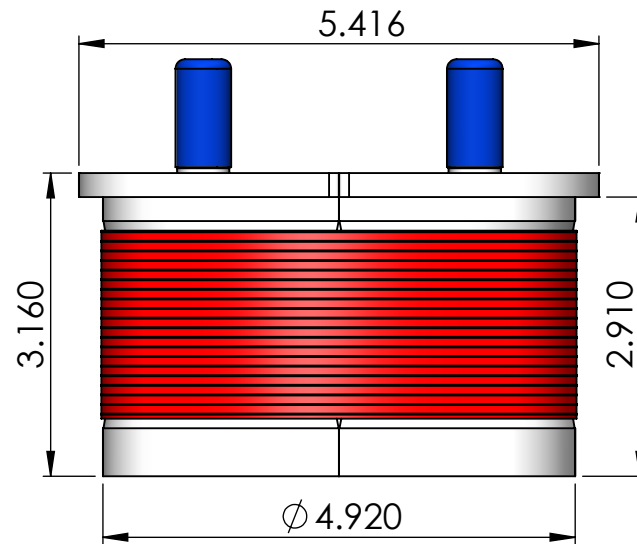
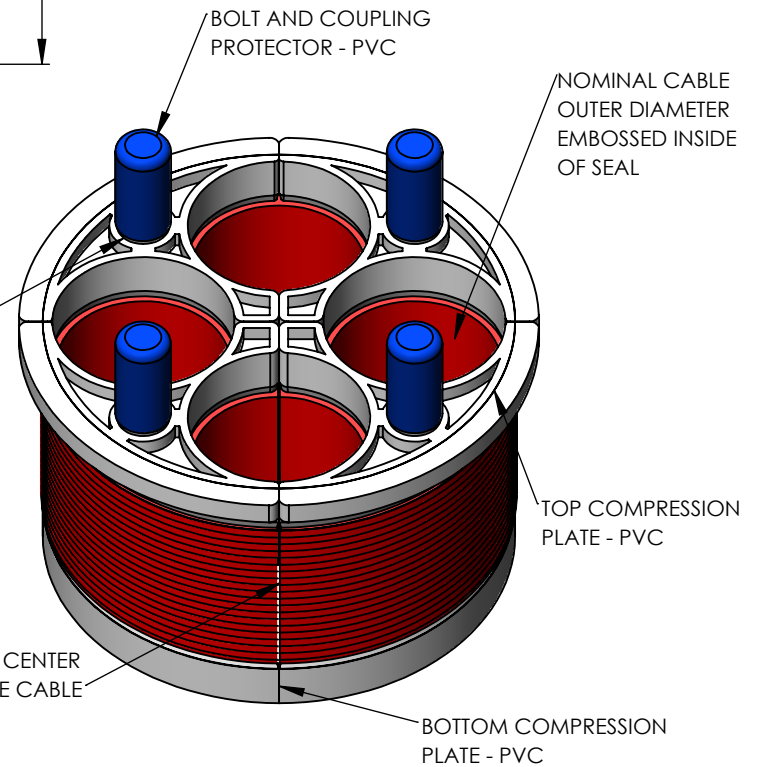


PART NO.	NOM CABLE OD	RANGE
7450-180	1.80	1.78-1.82
7450-175	1.75	1.73-1.77
7450-170	1.70	1.68-1.72
7450-165	1.65	1.63-1.67
7450-160	1.60	1.58-1.62
7450-155	1.55	1.53-1.57
7450-150	1.50	1.48-1.52
7450-145	1.45	1.43-1.47
7450-140	1.40	1.38-1.42
7450-135	1.35	1.33-1.37
7450-130	1.30	1.28-1.32
7450-125	1.25	1.23-1.27
7450-120	1.20	1.18-1.22
7450-115	1.15	1.13-1.17
7450-110	1.10	1.08-1.12
7450-105	1.05	1.03-1.07
7450-100	1.00	0.98-1.02
7450-095	0.95	0.93-0.97
7450-090	0.90	0.88-0.92
7450-085	0.85	0.83-0.87
7450-080	0.80	0.78-0.82
7450-075	0.75	0.73-0.77



STAINLESS STEEL WASHER,
BOLT, AND COUPLING



TITLE:		5.00" 125mm QUADPLEX ENTRY SEAL	
PROPRIETARY AND CONFIDENTIAL THE INFORMATION CONTAINED IN THIS DRAWING IS THE SOLE PROPERTY OF <CALAM MANUFACTURING>. ANY REPRODUCTION IN PART OR AS A WHOLE WITHOUT THE WRITTEN PERMISSION OF <CALAM MANUFACTURING> IS PROHIBITED.	DRAWN	A.CAMPAÑA	DATE : 07-24-2020
	MATERIAL		UNLESS OTHERWISE SPECIFIED DIMENSIONS ARE IN INCHES TOLERANCES: X±0.1 X.X±0.05 X.XX±0.02 X.XXX±0.005
	FINISH		
	SCALE: 1:1	PART NUMBER:	7450-XXX

