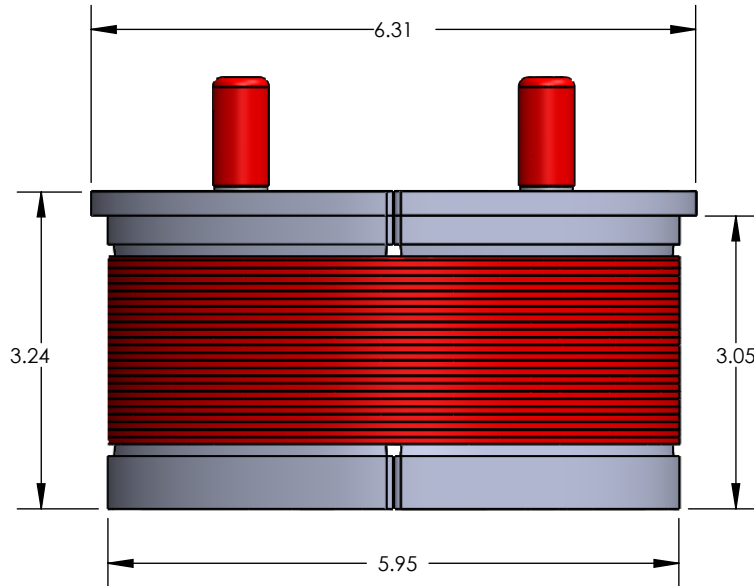
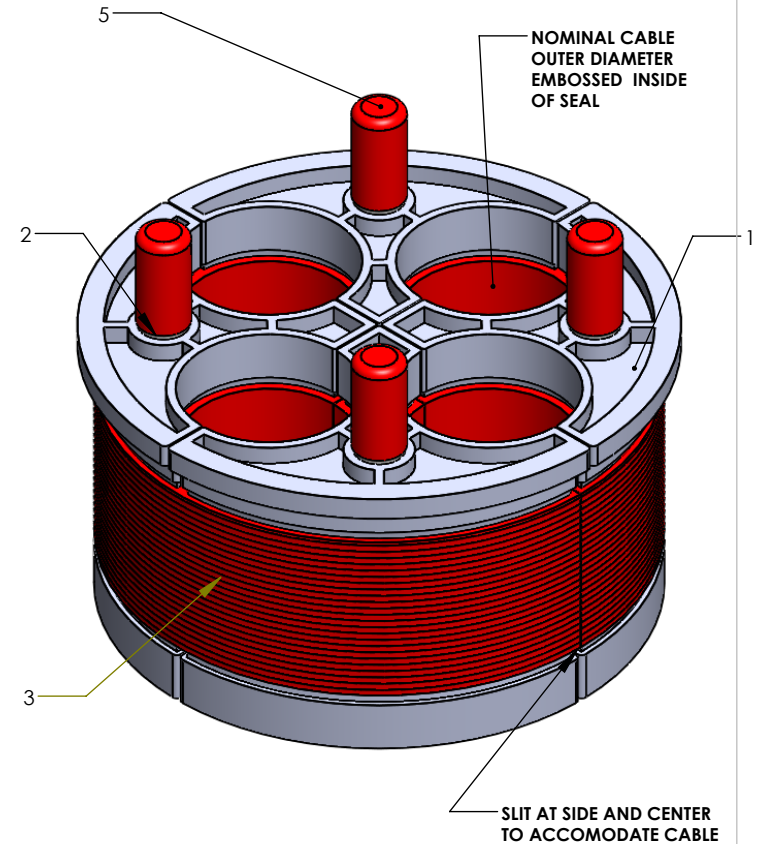


PART NO.	NOM CABLE OD	RANGE
7460-185	1.85	1.83 - 1.87
7460-180	1.80	1.78 - 1.82
7460-175	1.75	1.73 - 1.77
7460-170	1.70	1.68 - 1.72
7460-165	1.65	1.63 - 1.67
7460-160	1.60	1.58 - 1.62
7460-155	1.55	1.53 - 1.57
7460-150	1.50	1.48 - 1.52
7460-145	1.45	1.43 - 1.47
7460-140	1.40	1.38 - 1.42
7460-135	1.35	1.33 - 1.37
7460-130	1.30	1.28 - 1.32
7460-125	1.25	1.23 - 1.27
7460-120	1.20	1.18 - 1.22
7460-115	1.15	1.13 - 1.17
7460-110	1.10	1.08 - 1.12
7460-105	1.05	1.03 - 1.07
7460-100	1.00	0.98 - 1.02
7460-095	0.95	0.93 - 0.97
7460-090	0.90	0.88 - 0.92
7460-085	0.85	0.83 - 0.87
7460-080	0.80	0.78 - 0.82
7460-075	0.75	0.73 - 0.77



Rev.	Change	Date
C	REFLECT 4-W PART NO.	09/28/16



- 1: Top compression plate - PVC
- 2: Stainless steel washer bolt and coupling
- 3: Thermoplastic elastomer seal. Red
- 4: Bottom compression plate - PVC
- 5: Bolt & coupling protector - PVC

PROPRIETARY AND CONFIDENTIAL
 THE INFORMATION CONTAINED IN THIS DRAWING IS THE SOLE PROPERTY OF CAL AM MFG. ANY REPRODUCTION IN PART OR AS A WHOLE WITHOUT THE WRITTEN PERMISSION OF CAL AM MFG. IS PROHIBITED.

UNLESS OTHERWISE SPECIFIED:		NAME	DATE
DIMENSIONS ARE IN INCHES TOLERANCES: FRACTIONAL ±.5 TWO PLACE DECIMAL ±.010 THREE PLACE DECIMAL ±.005 FOUR PLACE DECIMAL ±.0005	DRAWN	E.GARCIA	06/02/14
	CHECKED	F.GRO	06/02/14
	MFG APPR.	B.ARNOLD	06/02/14
	COMMENTS:		
INTERPRET GEOMETRIC TOLERANCING PER: INCHES			
DO NOT SCALE DRAWING			



TITLE: WEDGE SEAL 4-WAY 6" DUCT SCH. 40. UNDERGROUND FIBER OPTIC/ELECTRIC SEAL

SIZE	DWG. NO.	REV
A	1746XXX	C

SHEET 1 OF 1