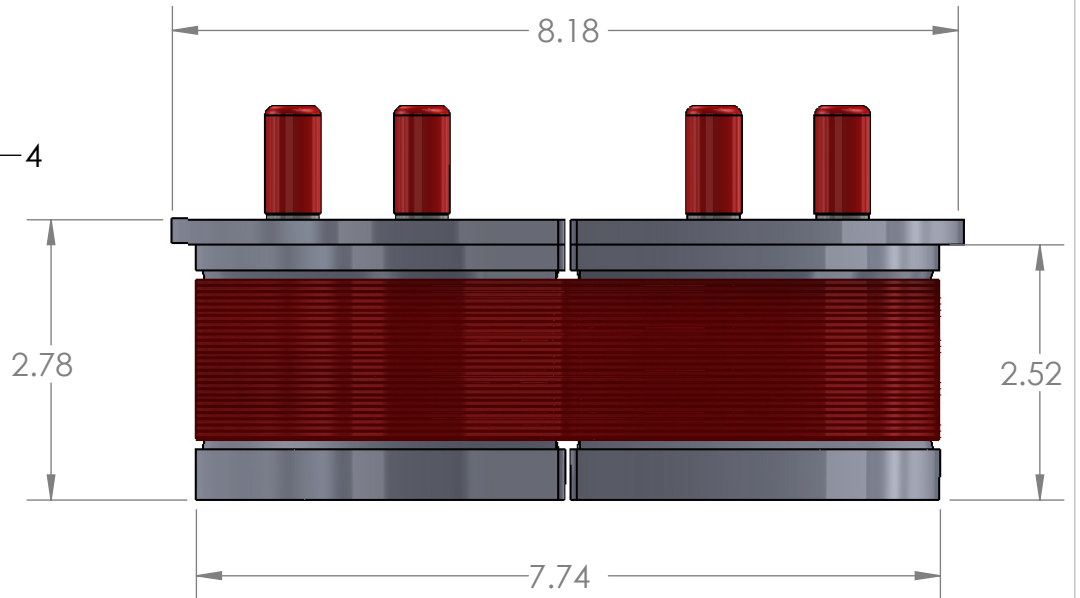


NOMINAL CABLE  
OUTER DIAMETER EMBOSSED  
INSIDE OF SEAL



- 1: Top compression plate - PVC
- 2: Stainless steel washer bolt and coupling under red protector
- 3: Thermoplastic elastomer seal - RED
- 4: Bottom compression plate - PVC
- 5: Bolt & coupling protector - PVC red

CONTACT CUSTOMER SERVICE FOR CABLE OD AVAILABILITY

**PROPRIETARY AND CONFIDENTIAL**  
THE INFORMATION CONTAINED IN THIS DRAWING IS THE SOLE PROPERTY OF CAL AM MANUFACTURING. ANY REPRODUCTION IN PART OR AS A WHOLE WITHOUT THE WRITTEN PERMISSION OF CAL AM MANUFACTURING IS PROHIBITED.

		UNLESS OTHERWISE SPECIFIED:	NAME	DATE
		DIMENSIONS ARE IN INCHES	DRAWN	JASSO 4/30/15
		TOLERANCES:	CHECKED	F.GRO 4/30/15
		FRACTIONAL ±	ENG APPR.	
		ANGULAR: MACH ± BEND ±	MFG APPR.	
		TWO PLACE DECIMAL ±	Q.A.	
		THREE PLACE DECIMAL ±	COMMENTS:	
		INTERPRET GEOMETRIC TOLERANCING PER:		
		MATERIAL SEE LIST		
NEXT ASSY	USED ON	FINISH		
APPLICATION		DO NOT SCALE DRAWING		



TITLE:  
WEDGE SEAL 4-WAY 8 INCH  
DUCT SCH. 40. UNDERGROUND  
FIBER OPTIC/ELECTRIC SEAL

SIZE	DWG. NO.	REV
<b>A</b>	<b>7480-XXX</b>	<b>A</b>
SCALE:	WEIGHT:	SHEET 1 OF 1

5

4

3

2

1