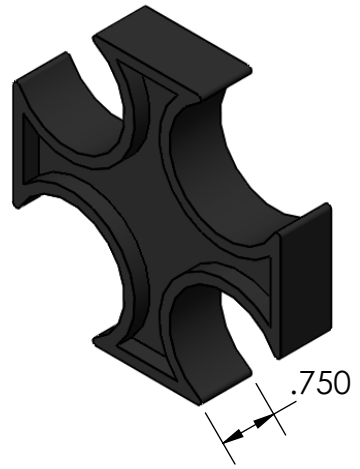
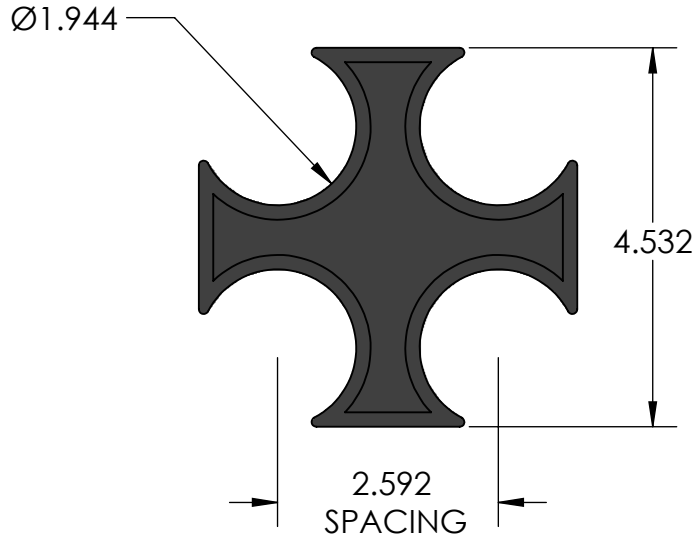



REV	CHANGE	DATE
B	IMAGE ENHANCEMENT	11/16/15



PROPRIETARY AND CONFIDENTIAL
 THE INFORMATION CONTAINED IN THIS DRAWING IS THE SOLE PROPERTY OF CALAM MFG. ANY REPRODUCTION IN PART OR AS A WHOLE WITHOUT THE WRITTEN PERMISSION OF CALAM MFG. IS PROHIBITED.

		UNLESS OTHERWISE SPECIFIED: DIMENSIONS ARE IN INCHES TOLERANCES: FRACTIONAL: ±1/64 ANGULAR: 0.125° TWO PLACE DECIMAL ±0.010 THREE PLACE DECIMAL ±0.005	NAME	DATE	 TITLE: CLIP SPACER 4 WAY 1.5"
			DRAWN	HUIZAR 10/11/10	
		CHECKED	F.GRO 10/11/10		
		ENG APPR.			
		INTERPRET GEOMETRIC TOLERANCING PER:	MFG APPR.		SIZE A DWG. NO. A4W-15 REV B
		MATERIAL ABS, BLACK	Q.A.		
NEXT ASSY	USED ON	FINISH	COMMENTS:		SCALE:
APPLICATION		DO NOT SCALE DRAWING			WEIGHT:
					SHEET 1 OF 1