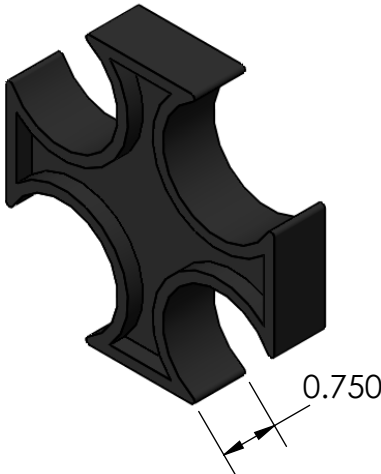
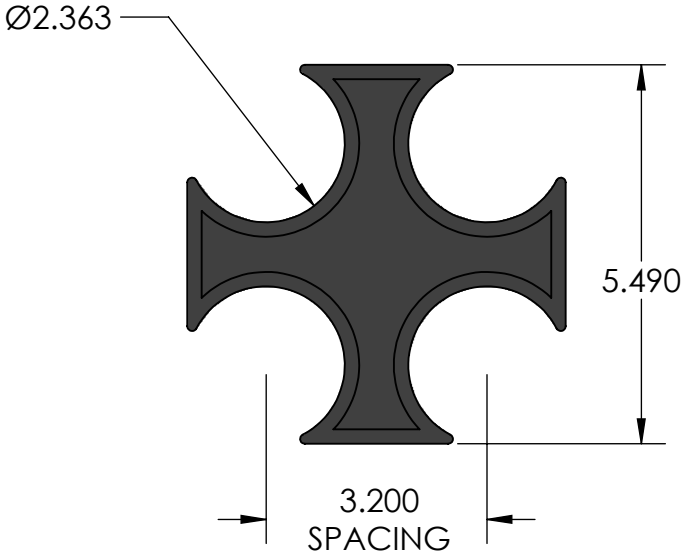



REV	CHANGE	DATE
B	IMAGE ENHANCEMENT	11/16/15



PROPRIETARY AND CONFIDENTIAL
 THE INFORMATION CONTAINED IN THIS DRAWING IS THE SOLE PROPERTY OF CALAM MFG. ANY REPRODUCTION IN PART OR AS A WHOLE WITHOUT THE WRITTEN PERMISSION OF CALAM MFG. IS PROHIBITED.

		UNLESS OTHERWISE SPECIFIED:	NAME	DATE		
		DIMENSIONS ARE IN INCHES TOLERANCES: FRACTIONAL: ±1/64 ANGULAR: 0.125° TWO PLACE DECIMAL ±0.010 THREE PLACE DECIMAL ±0.005	DRAWN	HUIZAR		
		INTERPRET GEOMETRIC TOLERANCING PER:	CHECKED	F.GRO	10/11/10	TITLE: CLIP SPACER 4 WAY 2"
		MATERIAL ABS, BLACK	ENG APPR.			
NEXT ASSY	USED ON	FINISH	MFG APPR.			
APPLICATION		DO NOT SCALE DRAWING	Q.A.			
			COMMENTS:			SIZE A
						DWG. NO. A4W-20
						REV B
						SCALE:
						WEIGHT:
						SHEET 1 OF 1