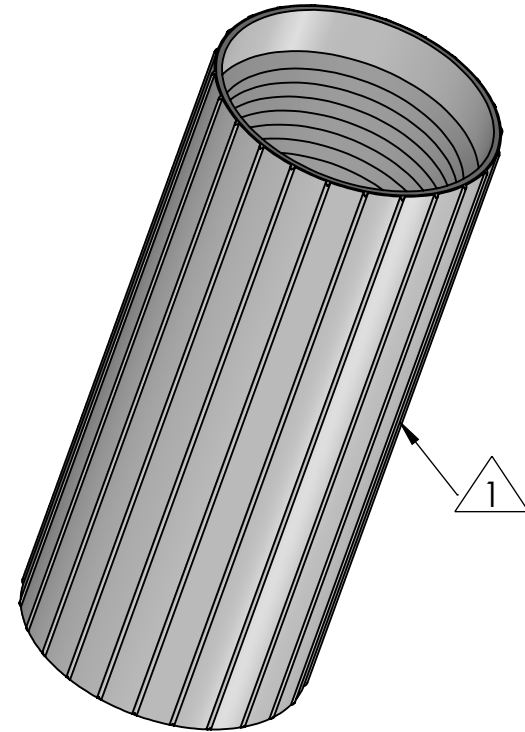
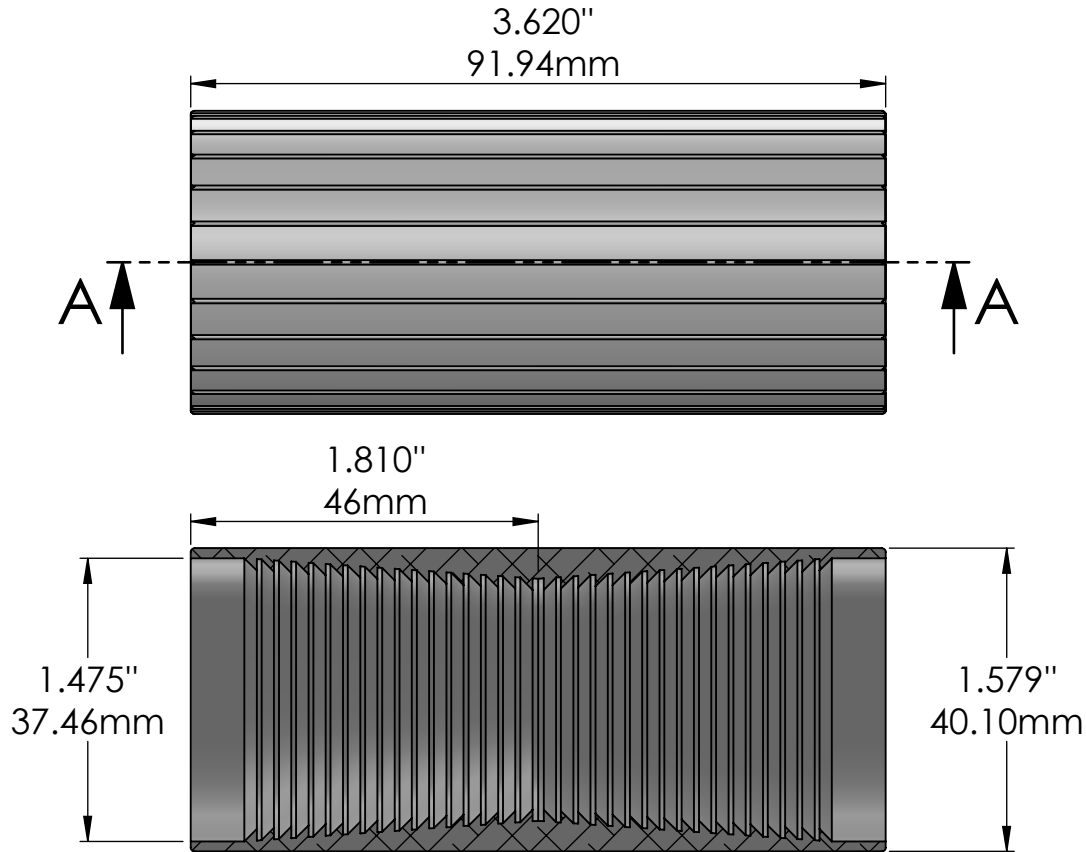



PRODUCT NUM	CONDUIT OUTSIDE DIAM RANGE	COLOR
JM-COU-10CP142U	1.18"-1.42" (29.97mm-36.07mm)	ALUMINUM



SECTION A-A

NOTES:

1 Material: Aluminum.

TITLE: 1.00" 25mm, ANODIZED ALUMINUM COUPLER, REVERSE-THREADED JackMoon® PROPRIETARY AND CONFIDENTIAL THE INFORMATION CONTAINED IN THIS DRAWING IS THE SOLE PROPERTY OF <CALAM MANUFACTURING>. ANY REPRODUCTION IN PART OR AS A WHOLE WITHOUT THE WRITTEN PERMISSION OF <CALAM MANUFACTURING> IS PROHIBITED.	DRAWN: A.CAMPAÑA DATE: 01-14-2020	 www.calam.net SHEET 1 OF 1	
	DRAWING NUM: ALU-COU-10CP142U		UNLESS OTHERWISE SPECIFIED DIMENSIONS ARE IN INCHES TOLERANCES: X±0.1 X.X±0.01 X.XX±0.005 X.XXX±0.0005
	REVISION: A		PRODUCT NUMBER: JM-COU-10CP142U
	SCALE: 1:1		