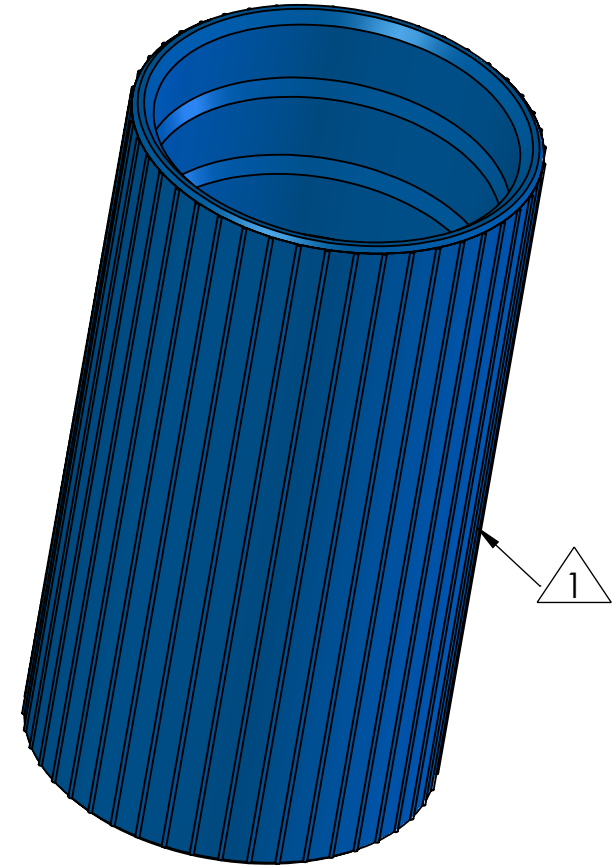
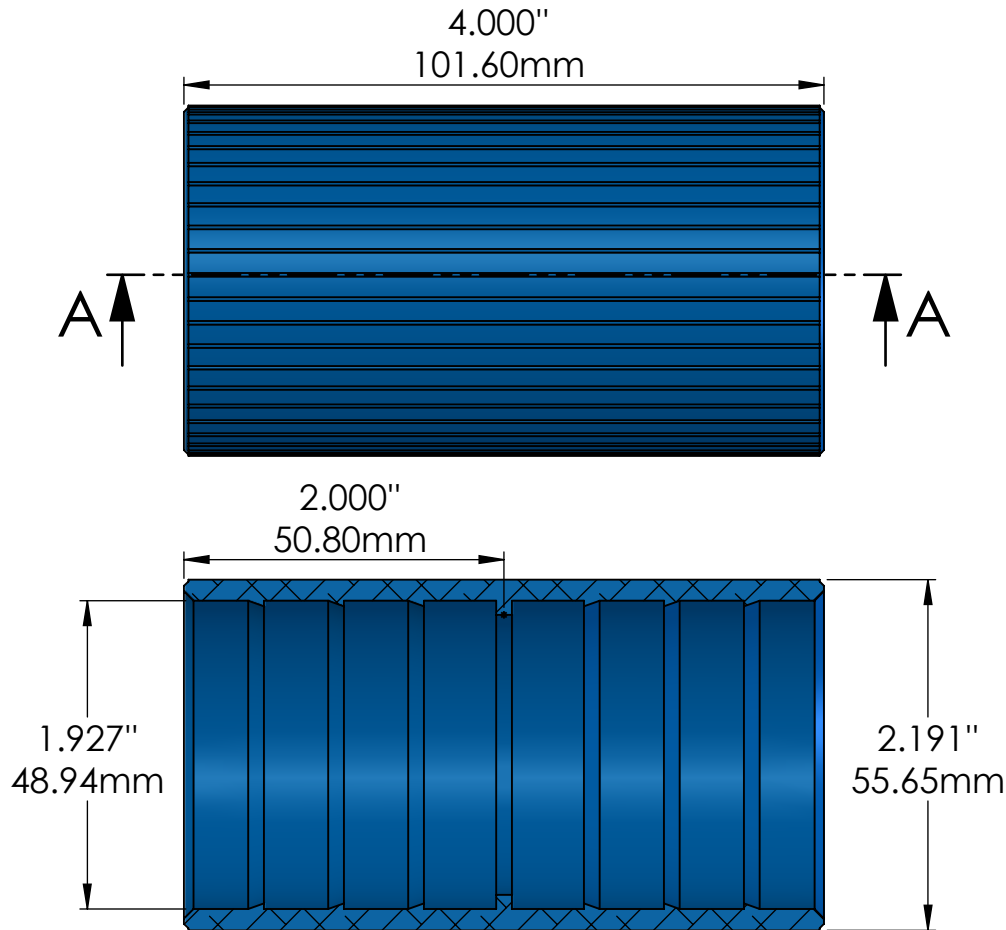


PRODUCT NUM	CONDUIT OUTSIDE DIAM RANGE	COLOR
JM-COU-15CP190SB	1.90" (48.26mm)	BLUE



### SECTION A-A

NOTES:

① Material: Aluminum.

<b>TITLE:</b> 1.50"   40mm, ANODIZED ALUMINUM COUPLER, BARBED <b>JackMoon®</b>		<b>DRAWN</b> A.CAMPAÑA		<b>DATE :</b> 01-15-2021	
<b>PROPRIETARY AND CONFIDENTIAL</b> THE INFORMATION CONTAINED IN THIS DRAWING IS THE SOLE PROPERTY OF <CALAM MANUFACTURING>. ANY REPRODUCTION IN PART OR AS A WHOLE WITHOUT THE WRITTEN PERMISSION OF <CALAM MANUFACTURING> IS PROHIBITED.		<b>DRAWING NUM:</b> ALU-COU-15CP190SB		UNLESS OTHERWISE SPECIFIED DIMENSIONS ARE IN INCHES TOLERANCES: X±0.1      X.X±0.01 X.XX±0.005      X.XXX±0.0005	
		<b>REVISION:</b> A			
		<b>SCALE:</b> 1:1.2		<b>PRODUCT NUMBER:</b> <b>JM-COU-15CP190SB</b>	



www.calam.net

SHEET 1 OF 1