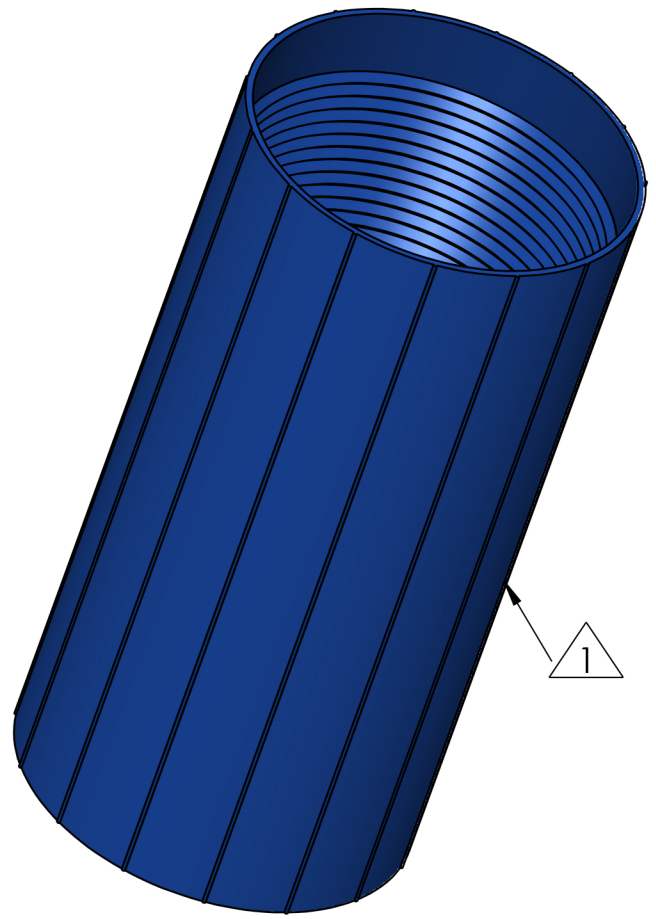
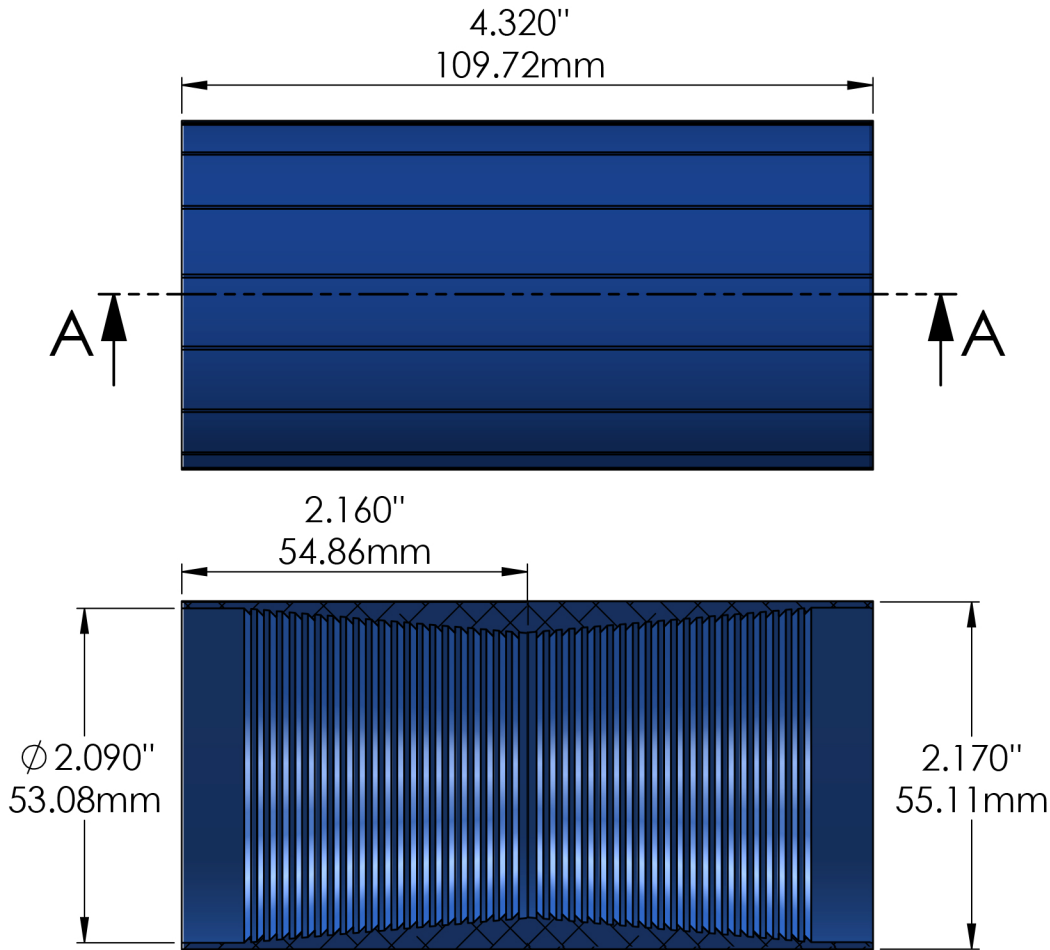


PRODUCT NUM	CONDUIT OUTSIDE DIAM RANGE	COLOR
JM-COU-15CP200U	1.80"-2.00" (45.72mm-50.80mm)	NAVY BLUE



SECTION A-A

NOTES:
 1 Material: Aluminum.

TITLE: 1.50" 40mm, ANODIZED ALUMINUM COUPLER, REVERSE-THREADED JackMoon [®]		
PROPRIETARY AND CONFIDENTIAL THE INFORMATION CONTAINED IN THIS DRAWING IS THE SOLE PROPERTY OF <CALAM MANUFACTURING>. ANY REPRODUCTION IN PART OR AS A WHOLE WITHOUT THE WRITTEN PERMISSION OF <CALAM MANUFACTURING> IS PROHIBITED.	DRAWN: A.CAMPAÑA	DATE: 01-15-2021
	DRAWING NUM: ALU-COU-15CP200U	UNLESS OTHERWISE SPECIFIED DIMENSIONS ARE IN INCHES TOLERANCES: X±0.1 X.X±0.01 X.XX±0.005 X.XXX±0.0005
	REVISION: A	
SCALE: 1:1.2	PRODUCT NUMBER: JM-COU-15CP200U	

CALAM
MANUFACTURING

www.calam.net