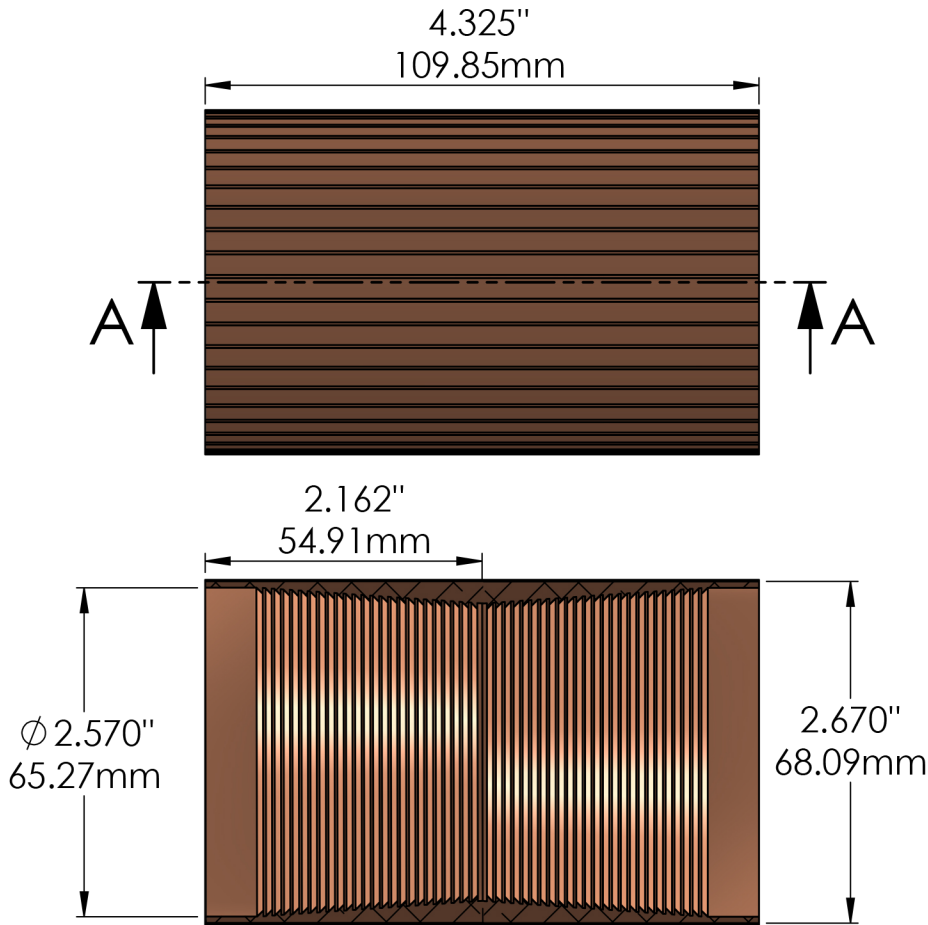
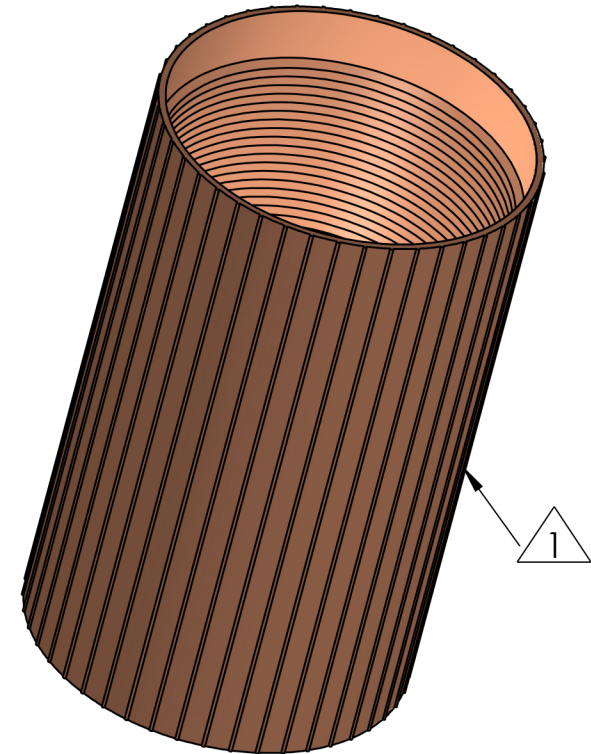


PRODUCT NUM	CONDUIT OUTSIDE DIAM RANGE	COLOR
JM-COU-20CP252U	2.31"-2.51" (58.67mm-63.75mm)	BRONZE




SECTION A-A



NOTES:

△ Material: Aluminum.

TITLE: 2.00" 50mm, ANODIZED ALUMINUM COUPLER, REVERSE-THREADED JackMoon®			 www.calam.net
PROPRIETARY AND CONFIDENTIAL THE INFORMATION CONTAINED IN THIS DRAWING IS THE SOLE PROPERTY OF <CALAM MANUFACTURING>. ANY REPRODUCTION IN PART OR AS A WHOLE WITHOUT THE WRITTEN PERMISSION OF <CALAM MANUFACTURING> IS PROHIBITED.	DRAWN: A.CAMPAÑA	DATE: 01-15-2021	
	DRAWING NUM: ALU-COU-20CP252U	UNLESS OTHERWISE SPECIFIED DIMENSIONS ARE IN INCHES TOLERANCES: X±0.1 X.X±0.01 X.XX±0.005 X.XXX±0.0005	
	REVISION: A	PRODUCT NUMBER: JM-COU-20CP252U	
SCALE: 1:1.5	SHEET 1 OF 1		