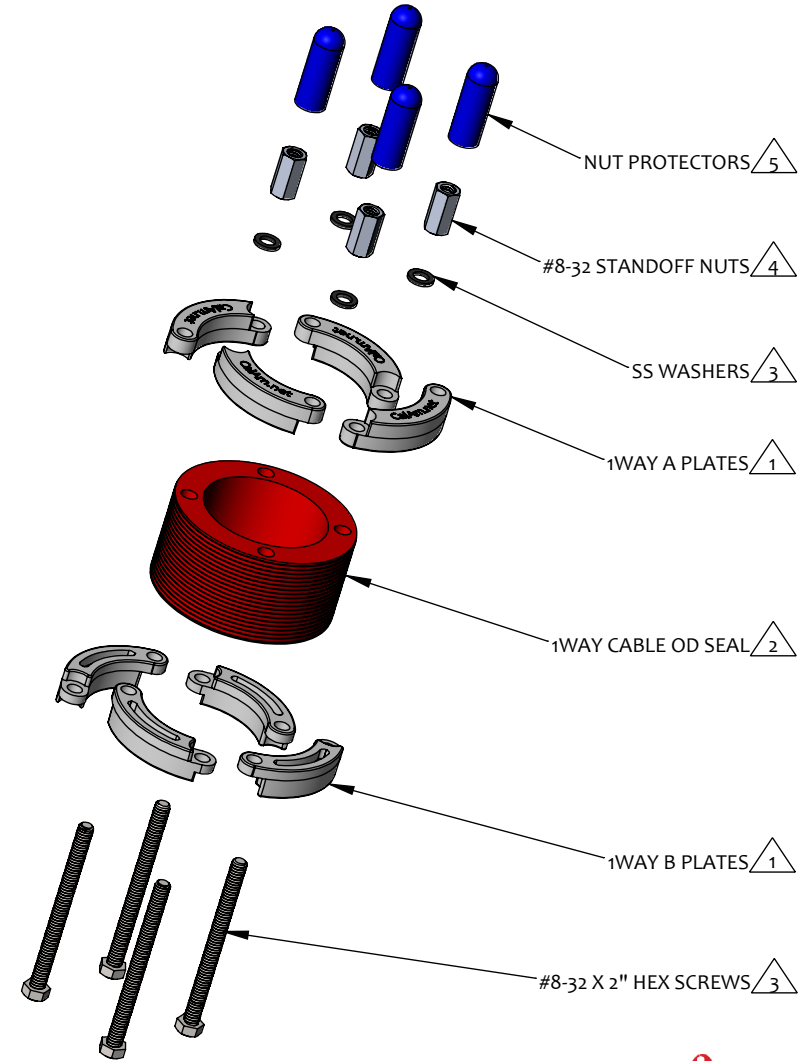
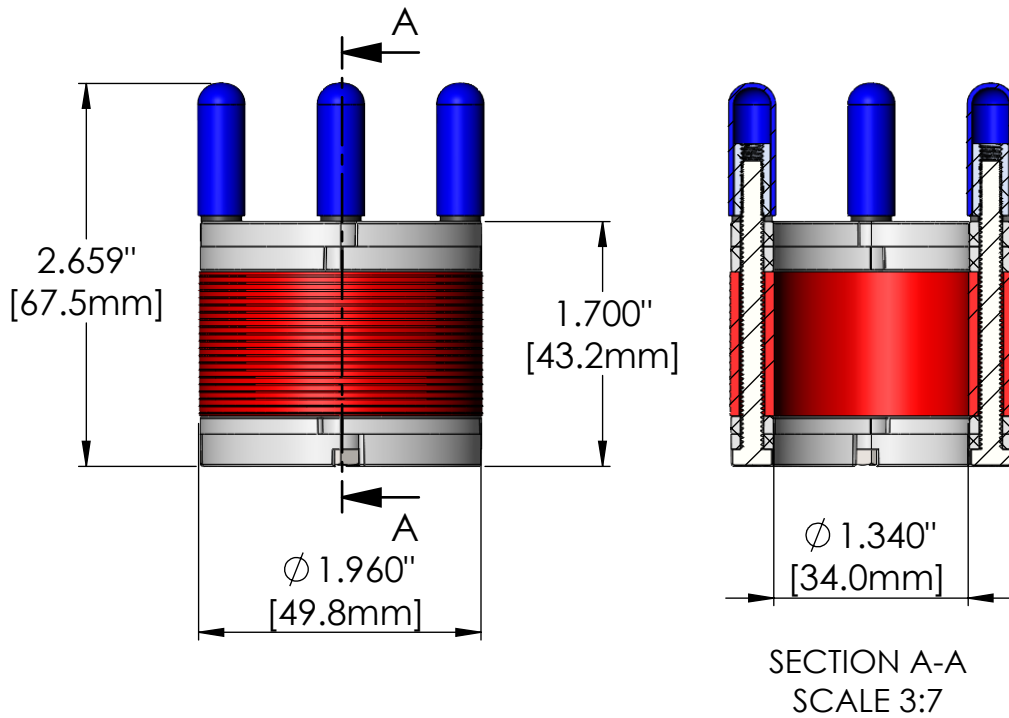


CONDUIT ID RANGE	APPLICABLE 2" [50mm] CONDUITS	PORT RANGE
1.96" - 2.08" [49.8mm - 52.8mm]	PVC SCH 40 EMT HDPE SCH 40 HDPE SDR 13.5 HDPE SDR 15.5	1.05" - 1.32" [26.7mm - 33.5mm]
1.96" - 2.22" [49.8mm - 56.4mm]	PVC DB 120	1.10" - 1.32" [27.9mm - 33.5mm]
1.96" - 2.26" [49.8mm - 57.4mm]	PVC DB 60 PVC EB 35	1.20" - 1.32" [30.5mm - 33.5mm]

Applicable conduit types based on product's conduit ID range meeting or exceeding conduit ID dimensions specified in one or more of following standards: UL651, UL651A, ASTM F2160, NEMA TC 6 & 8



NOTES:

- 1 Material: Nylon
- 2 Material: TPE
- 3 Material: Stainless Steel
- 4 Material: Aluminum
- 5 Material: Vinyl

TITLE	SIMPLEX ENTRY SEAL, 2.00" 50mm, PORT 1.30" 33mm		
PROPRIETARY AND CONFIDENTIAL THE INFORMATION CONTAINED IN THIS DRAWING IS THE SOLE PROPERTY OF CAL AM MANUFACTURING. ANY REPRODUCTION IN PART OR AS A WHOLE WITHOUT THE WRITTEN PERMISSION OF CAL AM MANUFACTURING IS PROHIBITED.	DRAWN	M.STOMA	DATE 11-02-2022
	DRAWING NO.	7120-130	UNLESS OTHERWISE SPECIFIED DIMENSIONS ARE IN INCHES TOLERANCES: X±0.1 X.X±0.05 X.XX±0.030 X.XXX±0.020
	REVISION	A	
	SCALE	3:4	PRODUCT NUMBER:

www.calam.net

SHEET 1 OF 1