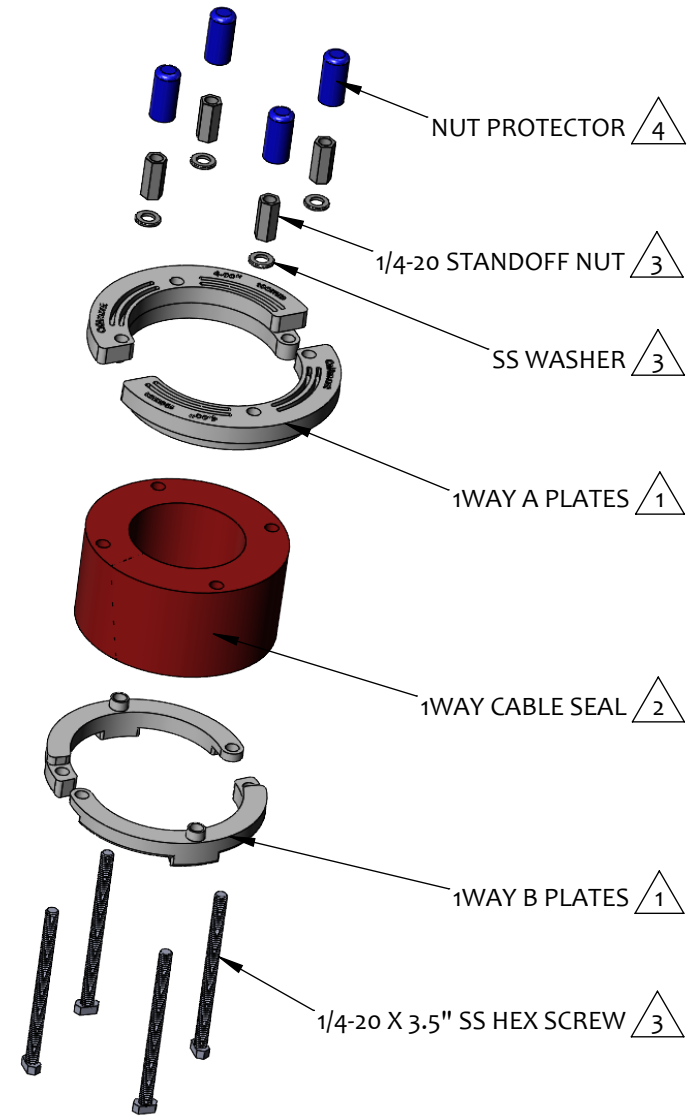
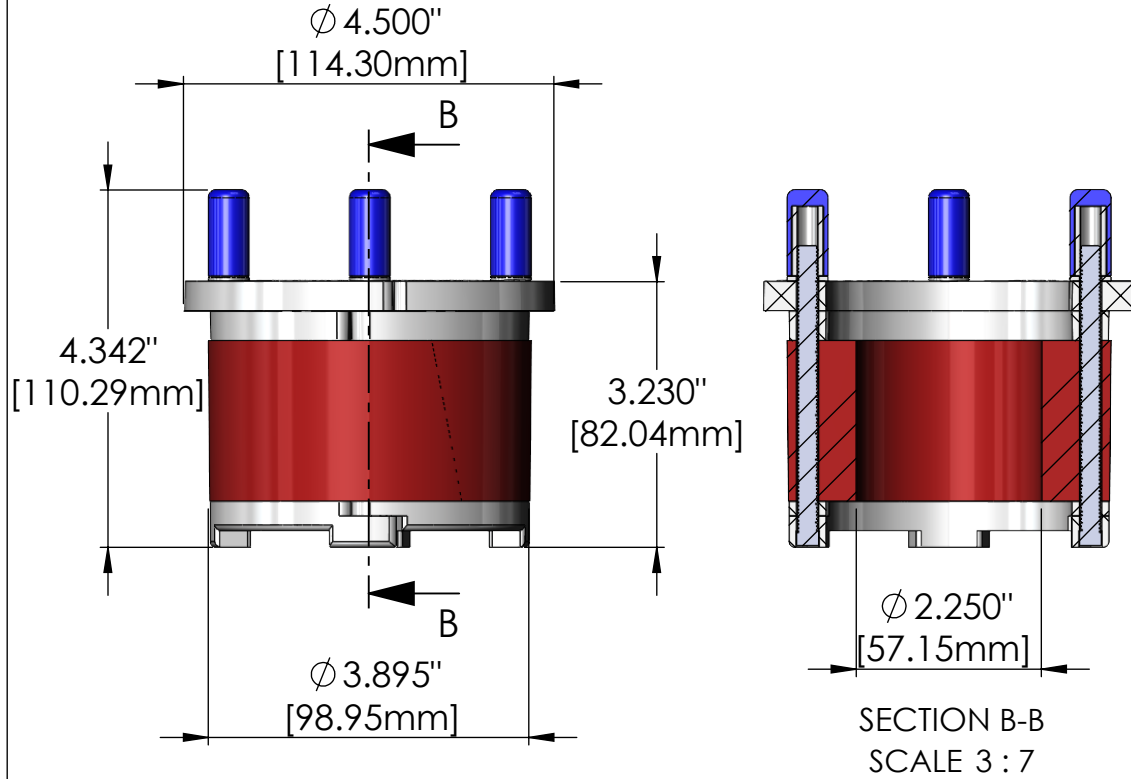


CONDUIT ID RANGE	APPLICABLE 4" [100mm] CONDUIT	PORT RANGE
3.92" - 4.18" [99.60mm - 106.20mm]	PVC SCH 40 PVC DB 120 HDPE SCH 40	1.92" - 2.25" [48.80mm - 57.20mm]

Applicable conduit types based on product's conduit ID range meeting or exceeding conduit ID dimensions specified in one or more of following standards: UL651, UL651A, ASTM F2160, NEMA TC 6 & 8



NOTES:

- 1 Material: PVC
- 2 Material: TPE
- 3 Material: Stainless Steel
- 4 Material: Vinyl

TITLE	SIMPLEX ENTRY SEAL, 4.00"   100mm, PORT 2.25"   57mm		
<b>PROPRIETARY AND CONFIDENTIAL</b> THE INFORMATION CONTAINED IN THIS DRAWING IS THE SOLE PROPERTY OF CAL AM MANUFACTURING. ANY REPRODUCTION IN PART OR AS A WHOLE WITHOUT THE WRITTEN PERMISSION OF CAL AM MANUFACTURING IS PROHIBITED.	DRAWN	JC. MORENO	DATE: 11-02-2022
	DRAWING NO.	7140-225	UNLESS OTHERWISE SPECIFIED DIMENSIONS ARE IN INCHES TOLERANCES: X±0.1 X.X±0.05 X.XX±0.030 X.XXX±0.020
	REVISION	B	
	SCALE:	3:7	PRODUCT NUMBER:



SHEET 1 OF 1