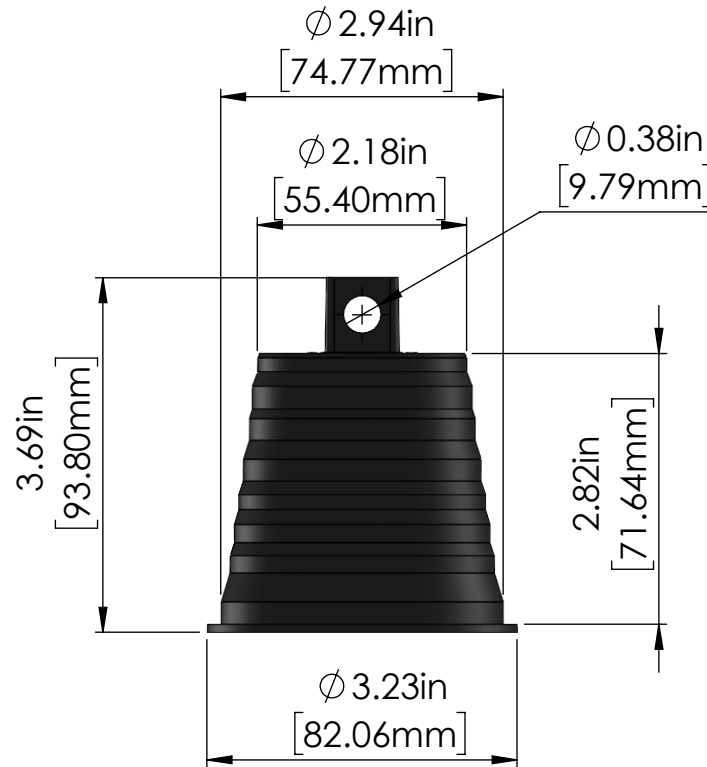
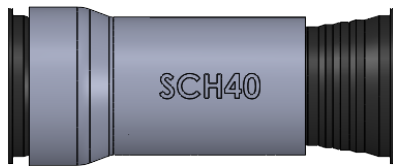
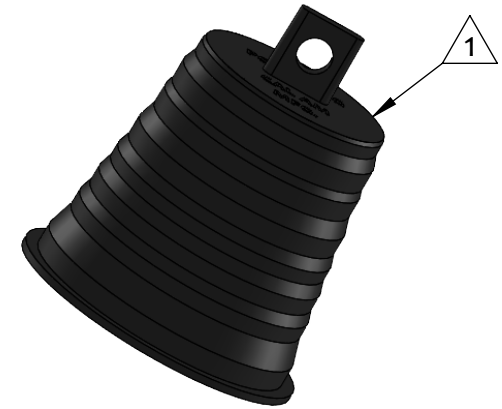
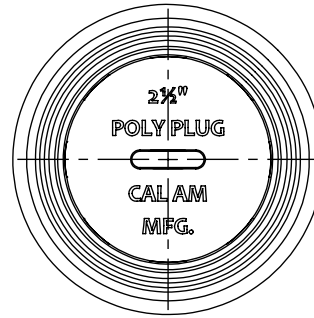




CONDUIT ID RANGE	APPLICABLE 2.5" [65mm] CONDUIT
2.23" - 2.94" [56.64mm - 74.77mm]	PVC SCH 40 PVC SCH 80 HDPE SDR 9 HDPE SDR 11 HDPE SDR 13.5 HDPE SDR 15.5 HDPE SCH 40 EMT

Applicable conduit types based on product's conduit ID range meeting or exceeding conduit ID dimensions specified in one or more of following standards: UL651, UL651A, ASTM F2160, NEMA TC 6 & 8



NOTES:

1 Material: LDPE, Black

TITLE	POLY PLUG 2.5" 65mm		
PROPRIETARY AND CONFIDENTIAL THE INFORMATION CONTAINED IN THIS DRAWING IS THE SOLE PROPERTY OF CAL AM MANUFACTURING. ANY REPRODUCTION IN PART OR AS A WHOLE WITHOUT THE WRITTEN PERMISSION OF CAL AM MANUFACTURING IS PROHIBITED.	DRAWN	M.STOMA	
	DRAWING NO.	2250-025 MKT	UNLESS OTHERWISE SPECIFIED DIMENSIONS ARE IN INCHES TOLERANCES: X±0.1 X.X±0.05 X.XX±0.030 X.XXX±0.020
	REVISION	A	
	SCALE:	1:2	PRODUCT NUMBER:
			 www.calam.net SHEET 1 OF 1