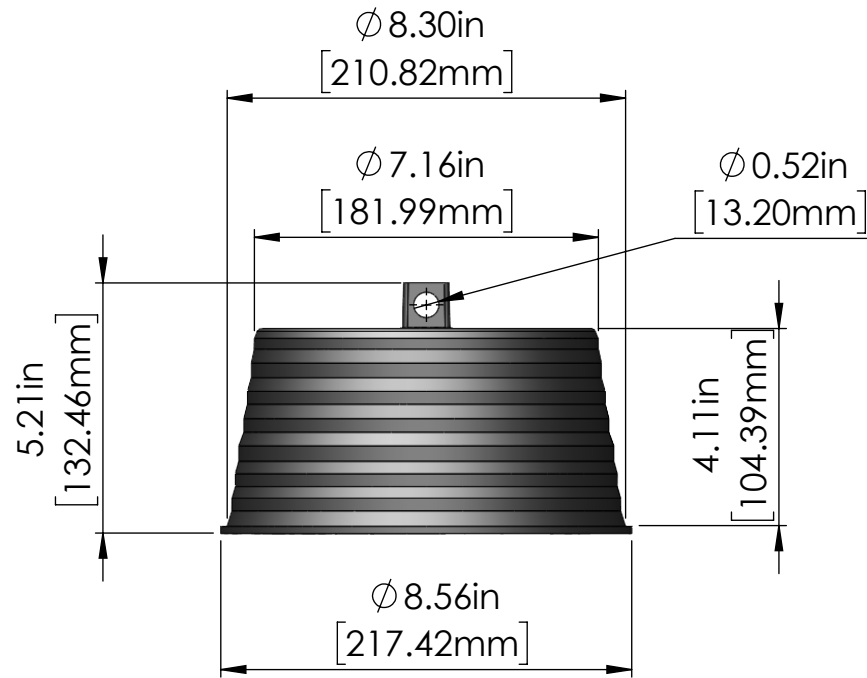
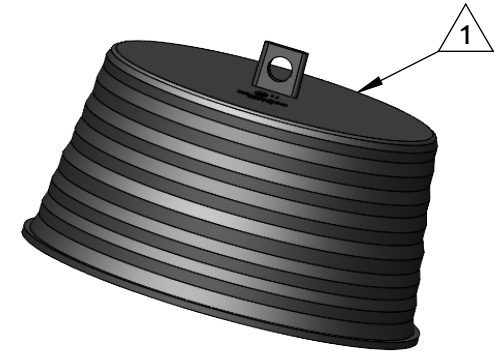
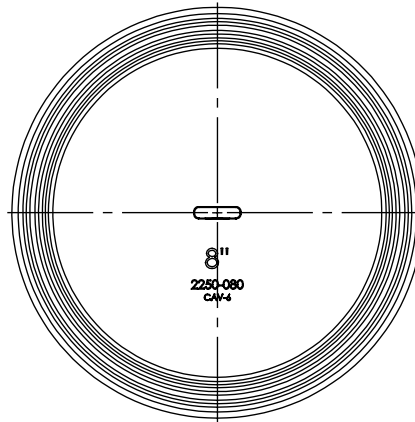
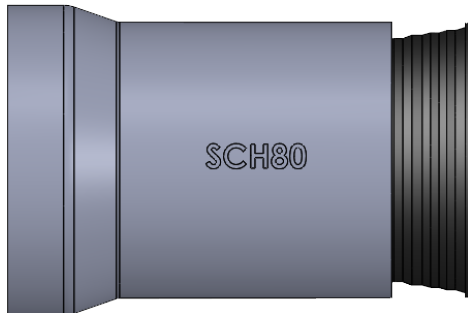



CONDUIT ID RANGE	APPLICABLE 8" [200mm] CONDUIT
7.21" - 8.30" [183.13 mm - 210.82mm]	PVC SCH 40 PVC SCH 80

Applicable conduit types based on product's conduit ID range meeting or exceeding conduit ID dimensions specified in one or more of following standards: UL651, UL651A, ASTM F2160, NEMA TC 6 & 8



**NOTES:**

1 Material: LDPE, Black

<b>TITLE</b>	<b>POLY PLUG 8"   200mm</b>			
<b>PROPRIETARY AND CONFIDENTIAL</b> THE INFORMATION CONTAINED IN THIS DRAWING IS THE SOLE PROPERTY OF CAL AM MANUFACTURING. ANY REPRODUCTION IN PART OR AS A WHOLE WITHOUT THE WRITTEN PERMISSION OF CAL AM MANUFACTURING IS PROHIBITED.	DRAWN	JC.MORENO	DATE:	
	DRAWING NO.	2250-080 MKT	UNLESS OTHERWISE SPECIFIED DIMENSIONS ARE IN INCHES TOLERANCES:	
	REVISION	A	X±0.1	X.X±0.05
	SCALE:	1:4	X.XX±0.030	X.XXX±0.020
		PRODUCT NUMBER:	<b>2250-080</b>	www.calam.net
				SHEET 1 OF 1