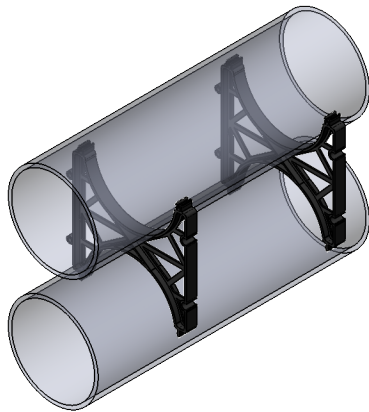
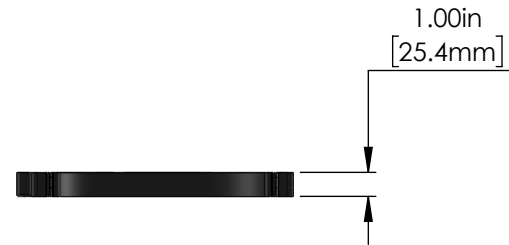
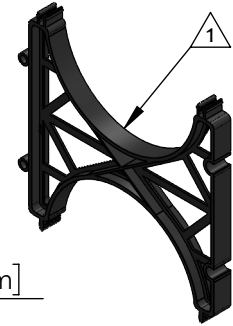
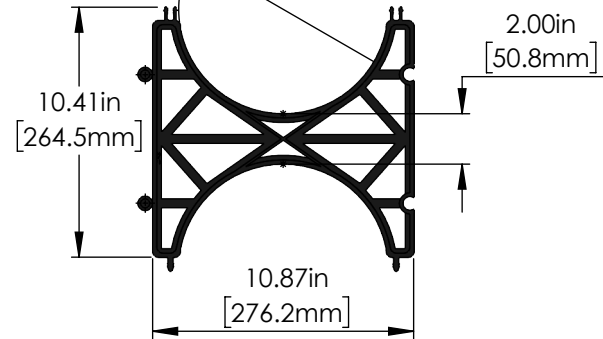


Ø8.62in [218.9mm]  
CONDUIT SEAT



NOTES:

△ 1 Material: HIPS (Black)

CAD files are available for all duct spacers.

Please visit <https://calam.net/cad-files/>

TITLE		DUCT SPACER INTERMEDIATE, 8" x 2"   200mm x 50mm		
<b>PROPRIETARY AND CONFIDENTIAL</b> THE INFORMATION CONTAINED IN THIS DRAWING IS THE SOLE PROPERTY OF CAL AM MANUFACTURING. ANY REPRODUCTION IN PART OR AS A WHOLE WITHOUT THE WRITTEN PERMISSION OF CAL AM MANUFACTURING IS PROHIBITED.	DRAWN	JC. MORENO	DATE	6-28-2023
	DRAWING NO.	4180-20-MKT	UNLESS OTHERWISE SPECIFIED DIMENSIONS ARE IN INCHES TOLERANCES:	
	REVISION	B	X±0.1	X.X±0.05
			X.XX±0.030	X.XXX±0.020
SCALE:	1:3	PRODUCT NUMBER:	<b>4180-20</b>	



SHEET 1 OF 1