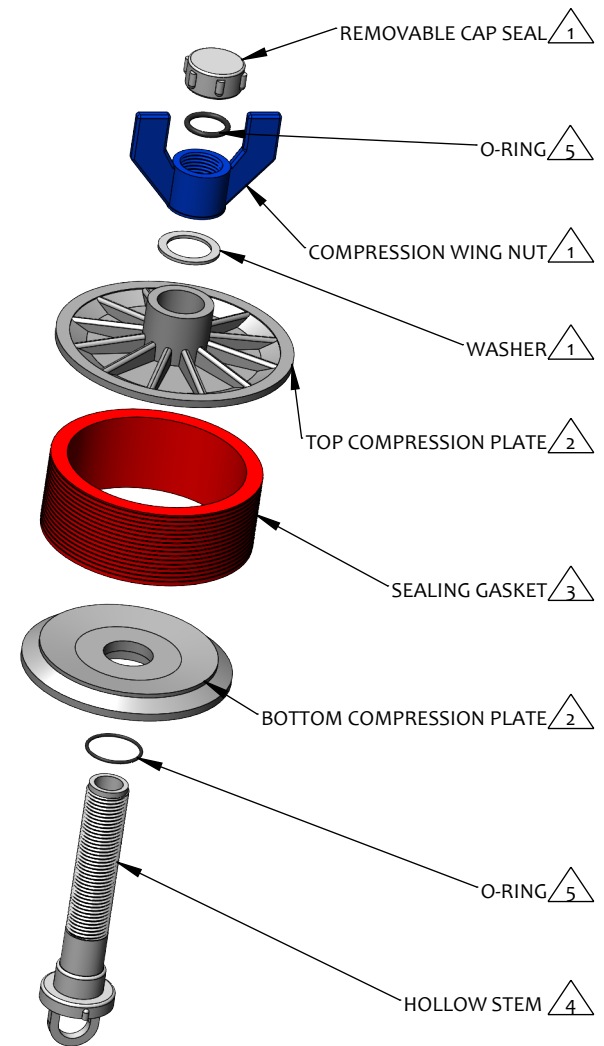
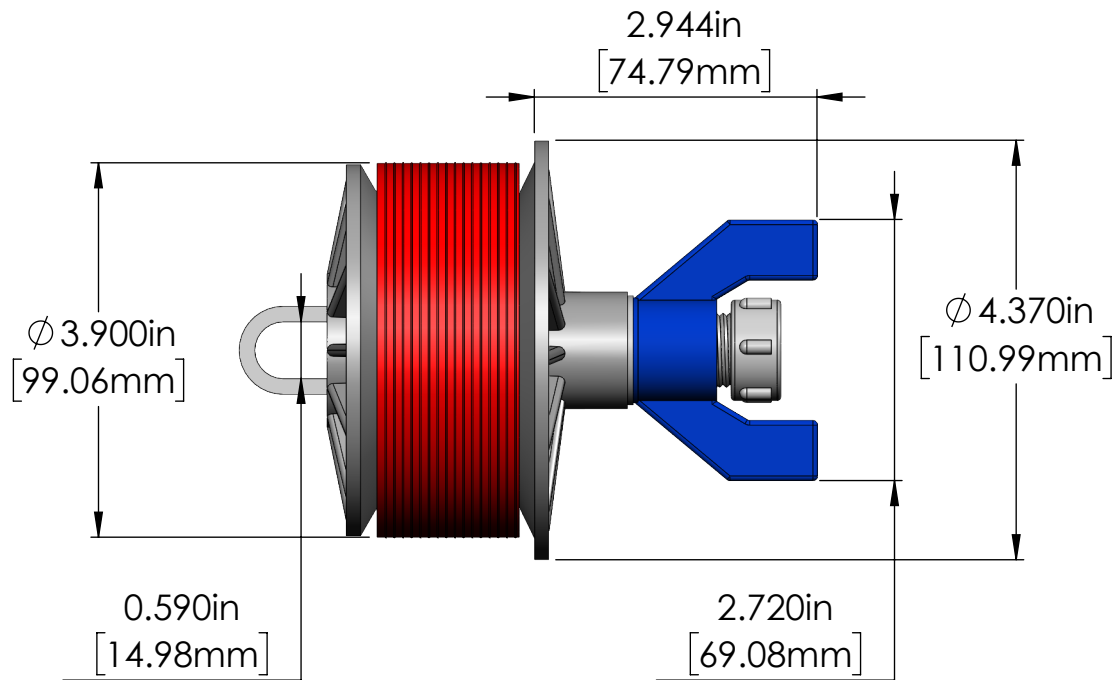


| CONDUIT ID RANGE                         | APPLICABLE 4" [100mm] CONDUIT  |
|--|--|
| 3.940" - 4.330"<br>[100.08mm - 109.98mm] | PVC SCH 40<br>PVC DB 100<br>PVC DB 120<br>PVC DB 60<br>PVC EB 20 TC<br>PVC EB 35 |

Applicable conduit types based on product's conduit ID range meeting or exceeding conduit ID dimensions specified in one or more of following standards: UL651, UL651A, ASTM F2160, NEMA TC 6 & 8



NOTES:

- 1 Material: PVC
- 2 Material: Polypropylene
- 3 Material: Thermoplastic Elastomer
- 4 Material: Nylon
- 5 Material: Rubber

| TITLE   | BLANK DUCT PLUG, WING NUT, 4.00"   100mm |             |  |
|---|--|-------------|--|
| <b>PROPRIETARY AND CONFIDENTIAL</b><br>THE INFORMATION CONTAINED IN THIS DRAWING IS THE SOLE PROPERTY OF CAL AM MANUFACTURING. ANY REPRODUCTION IN PART OR AS A WHOLE WITHOUT THE WRITTEN PERMISSION OF CAL AM MANUFACTURING IS PROHIBITED. | DRAWN                                    | JC. MORENO  | DATE: 06-29-2023   |
|   | DRAWING NO.                              | KWI-5120-40 | UNLESS OTHERWISE SPECIFIED DIMENSIONS ARE IN INCHES<br>TOLERANCES:<br>X±0.1 X.X±0.05<br>X.XX±0.030 X.XXX±0.020 |
|   | REVISION                                 | B           |  |
|   | SCALE:                                   | 1:2         | PRODUCT NUMBER:  |



SHEET 1 OF 1