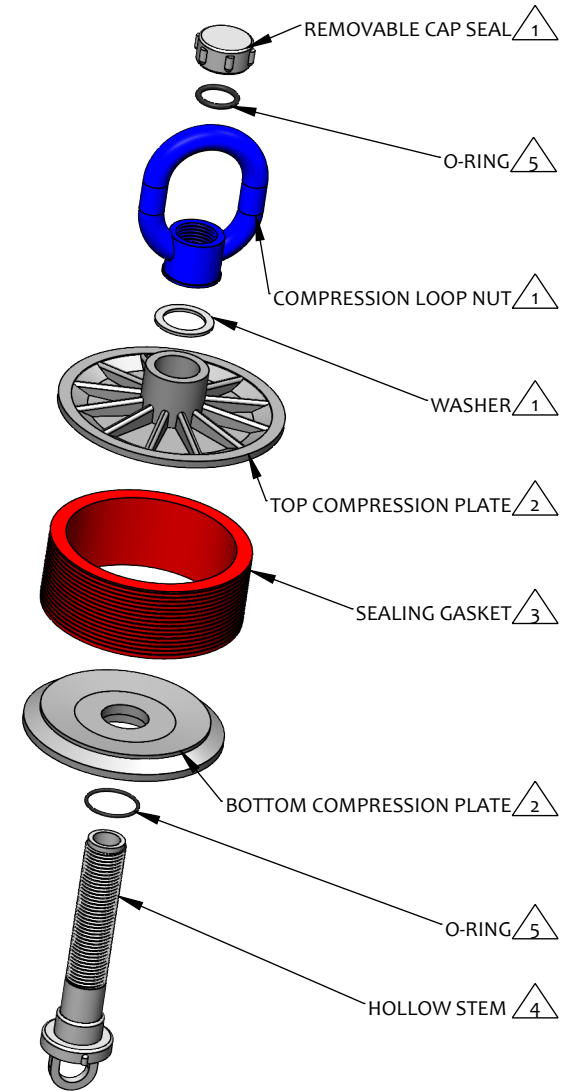
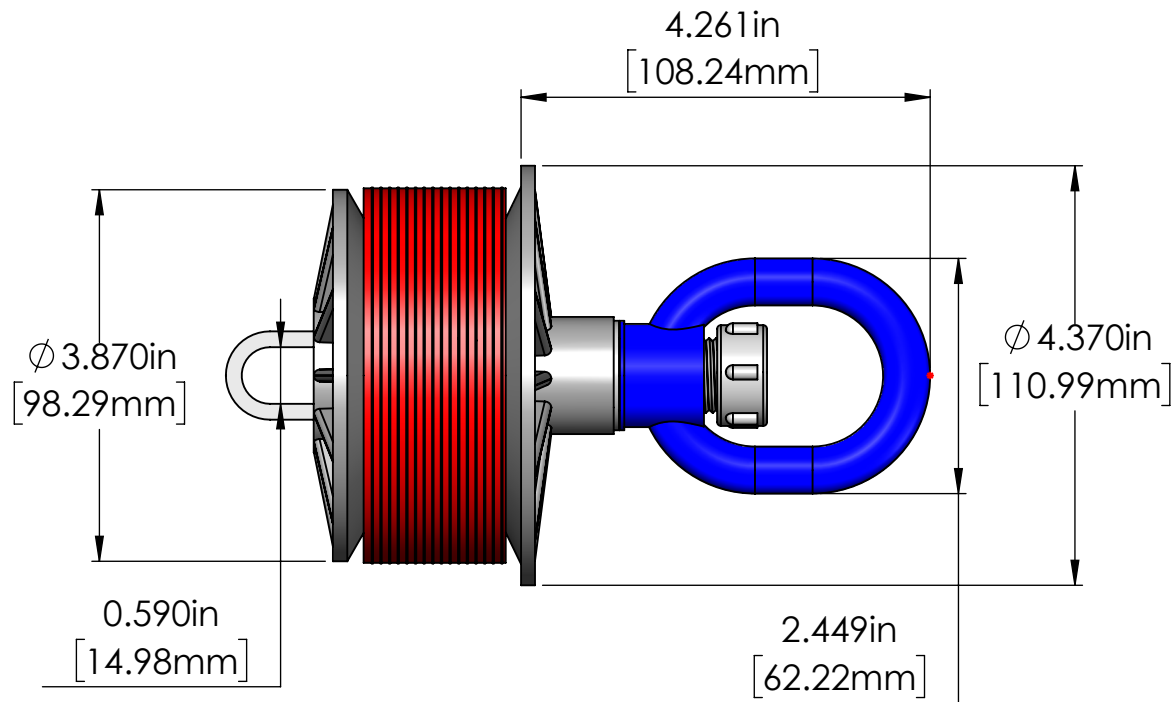


| CONDUIT ID RANGE | APPLICABLE 4" [100mm] CONDUIT |
|--|--|
| 3.940" - 4.330" [100.08mm - 109.98mm] | PVC SCH 40 PVC DB 100 PVC DB 120 PVC DB 60 PVC EB 20 TC PVC EB 35 |

Applicable conduit types based on product's conduit ID range meeting or exceeding conduit ID dimensions specified in one or more of following standards: UL651, UL651A, ASTM F2160, NEMA TC 6 & 8



Kwikie™
Blank Duct Plugs

NOTES:

- 1 Material: PVC
- 2 Material: Polypropylene
- 3 Material: Thermoplastic Elastomer
- 4 Material: Nylon
- 5 Material: Rubber

| TITLE: | BLANK DUCT PLUG, LOOP NUT, 4.00" 100mm | | |
|---|--|--------------|---|
| PROPRIETARY AND CONFIDENTIAL THE INFORMATION CONTAINED IN THIS DRAWING IS THE SOLE PROPERTY OF CAL AM MANUFACTURING. ANY REPRODUCTION IN PART OR AS A WHOLE WITHOUT THE WRITTEN PERMISSION OF CAL AM MANUFACTURING IS PROHIBITED. | DRAWN | JC. MORENO | DATE: 06-26-2023 |
| | DRAWING NO. | KWI-5120-40L | UNLESS OTHERWISE SPECIFIED DIMENSIONS ARE IN INCHES TOLERANCES: X±0.1 X.X±0.05 X.XX±0.030 X.XXX±0.020 |
| | REVISION | B | |
| | SCALE: | 1:2 | PRODUCT NUMBER: 5120-40L |



SHEET 1 OF 1