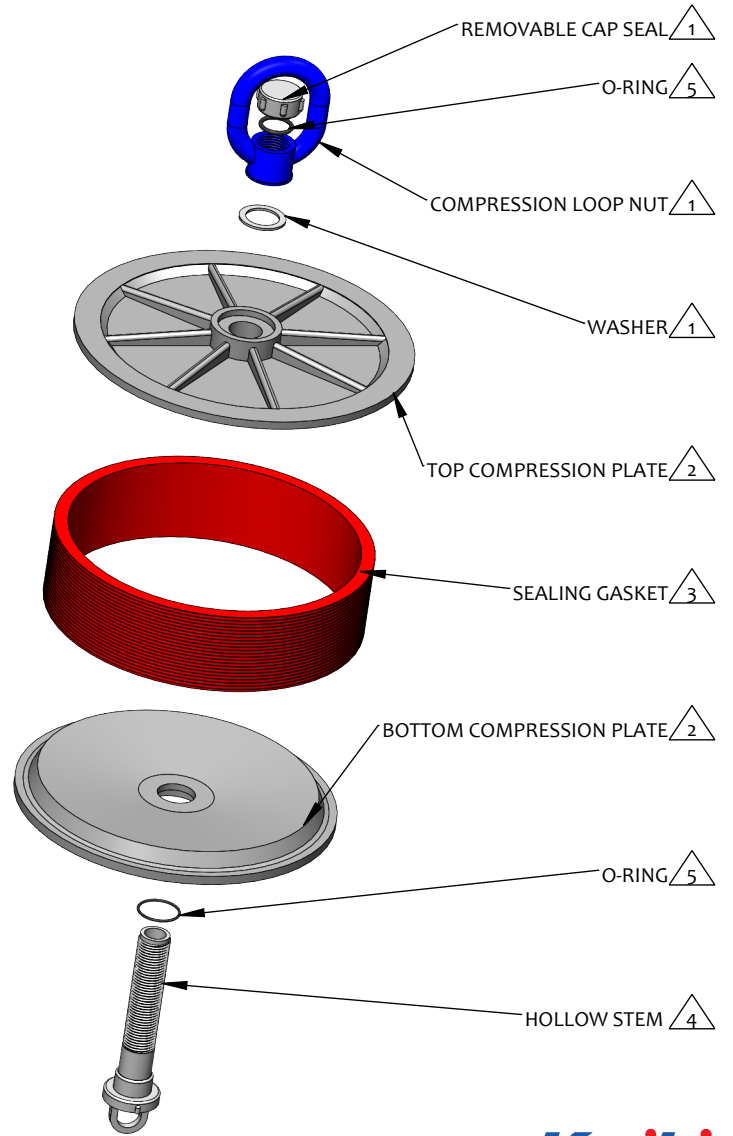
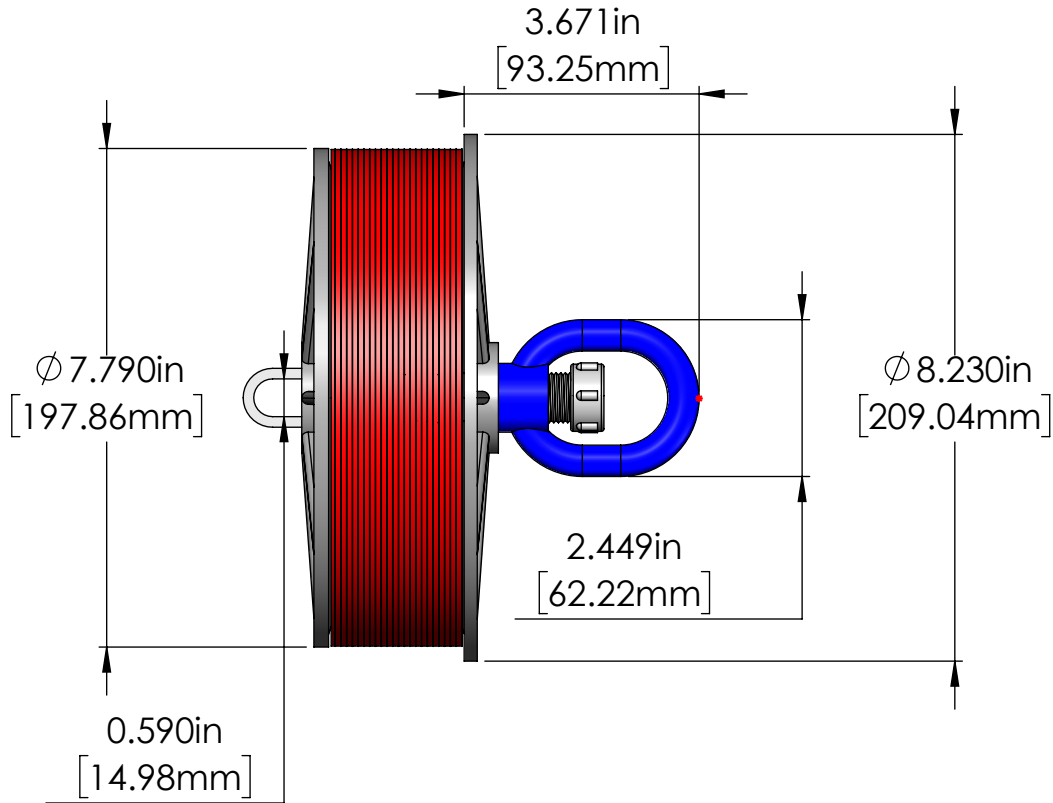


| | |
|--|--------------------------------------|
| CONDUIT ID RANGE | APPLICABLE 8" [200mm] CONDUIT |
| 7.810" - 8.250" [198.37mm - 209.55mm] | PVC SCH 40 |

Applicable conduit types based on product's conduit ID range meeting or exceeding conduit ID dimensions specified in one or more of following standards: UL651, UL651A, ASTM F2160, NEMA TC 6 & 8



Kwikie™
Blank Duct Plugs

NOTES:

- 1 Material: PVC
- 2 Material: Polypropylene
- 3 Material: Thermoplastic Elastomer
- 4 Material: Nylon
- 5 Material: Rubber

| | | | |
|---|---|--------------|--|
| TITLE | BLANK DUCT PLUG, LOOP NUT, 8.00" 200mm | | |
| PROPRIETARY AND CONFIDENTIAL THE INFORMATION CONTAINED IN THIS DRAWING IS THE SOLE PROPERTY OF CAL AM MANUFACTURING. ANY REPRODUCTION IN PART OR AS A WHOLE WITHOUT THE WRITTEN PERMISSION OF CAL AM MANUFACTURING IS PROHIBITED. | DRAWN | JC. MORENO | DATE: 06-27-2023 |
| | DRAWING NO. | KWI-5120-80L | UNLESS OTHERWISE SPECIFIED DIMENSIONS ARE IN INCHES TOLERANCES: X±0.1 X.X±0.05 X.XX±0.030 X.XXX±0.020 |
| | REVISION | B | |
| | SCALE: | 1:2 | PRODUCT NUMBER: |

CAL AM
MANUFACTURING
www.CalAm.net

SHEET 1 OF 1