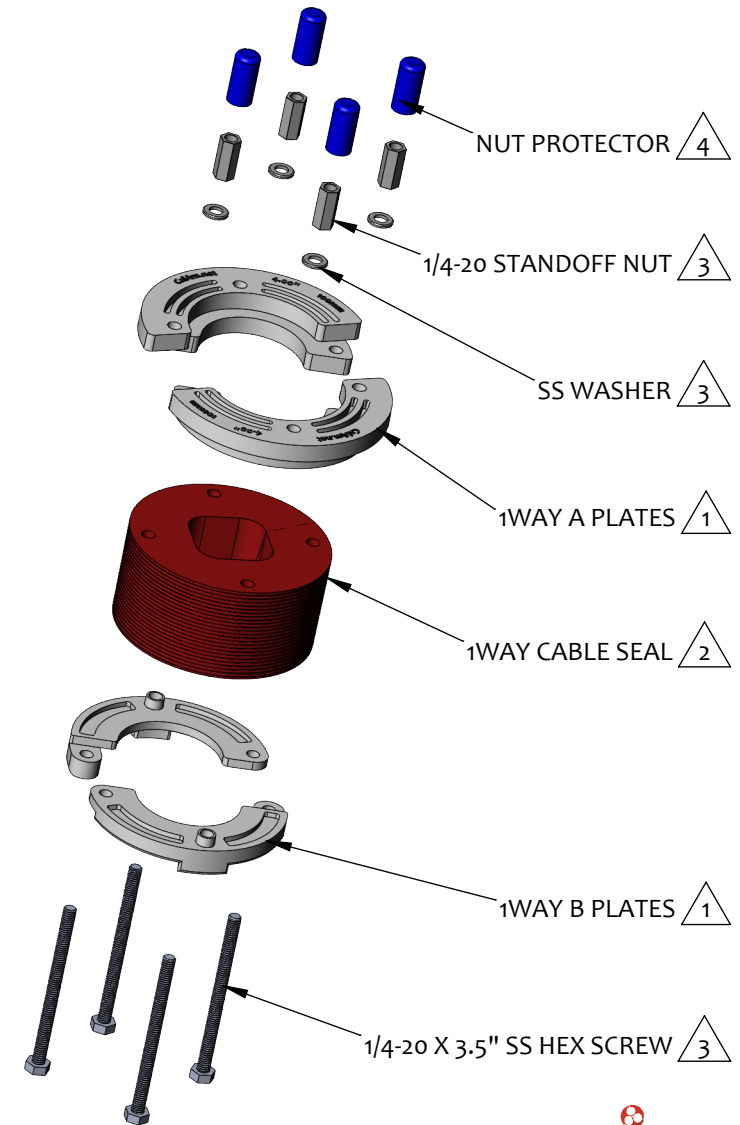
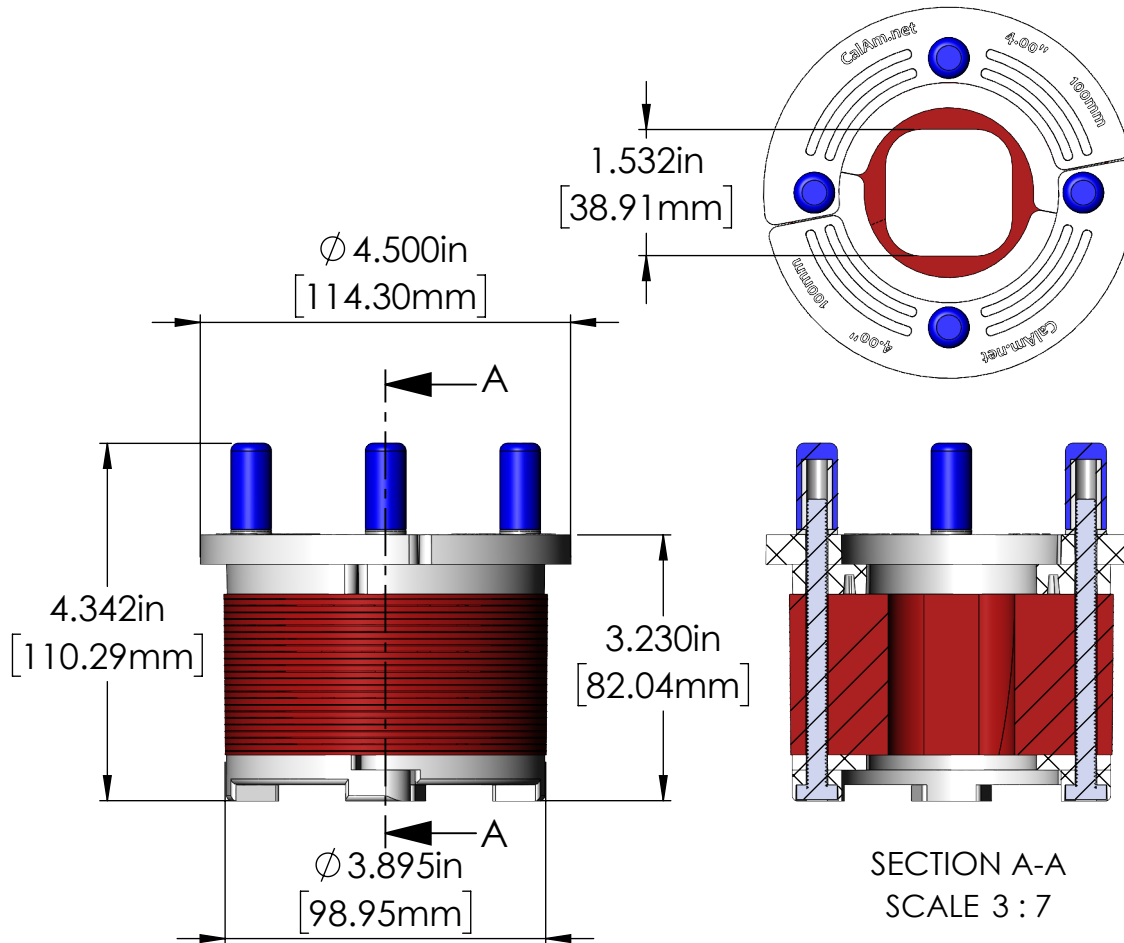


CONDUIT ID RANGE	APPLICABLE 4" [100mm] CONDUIT	PORT OD RANGE	APPLICABLE MICRODUCT
3.92" - 4.25" [99.60mm - 107.95mm]	PVC SCH 40 PVC DB 120 PVC DB 100 PVC DB 60 HDPE SCH 40	1.63" - 1.87" [41.40mm - 47.49mm]	DURA-LINE® FUTUREPATH™: 4-WAY 16/12 4-WAY 16/13 4-WAY 18/14

Applicable conduit types based on product's conduit ID range meeting or exceeding conduit ID dimensions specified in one or more of following standards: UL651, UL651A, ASTM F2160, NEMA TC 6 & 8



NOTES:

- 1 Material: PVC
- 2 Material: TPE
- 3 Material: Stainless Steel
- 4 Material: Vinyl

TITLE	SIMPLEX ENTRY SEAL, 4.00" 100mm; SQUARE PORT 1.85" 47mm		
PROPRIETARY AND CONFIDENTIAL THE INFORMATION CONTAINED IN THIS DRAWING IS THE SOLE PROPERTY OF CAL AM MANUFACTURING. ANY REPRODUCTION IN PART OR AS A WHOLE WITHOUT THE WRITTEN PERMISSION OF CAL AM MANUFACTURING IS PROHIBITED.	DRAWN	JC. MORENO	DATE: 05/10/2023
	DRAWING NO.	7140-04-18	UNLESS OTHERWISE SPECIFIED DIMENSIONS ARE IN INCHES TOLERANCES: X±0.1 X.X±0.05 X.XXX±0.030 X.XXX±0.020
	REVISION	A	
	SCALE:	3:7	PRODUCT NUMBER: 7140-04-18



SHEET 1 OF 1