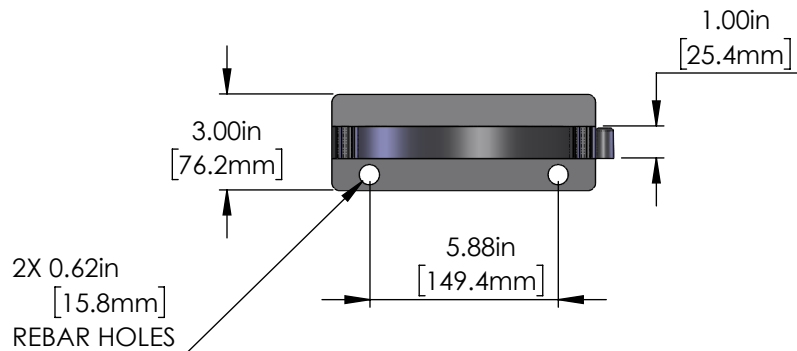
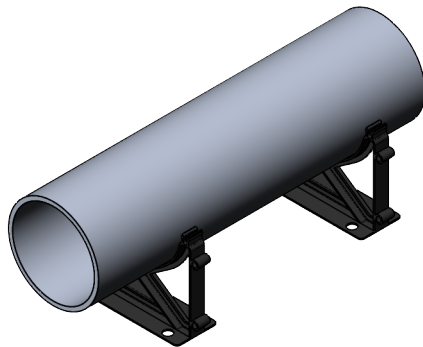
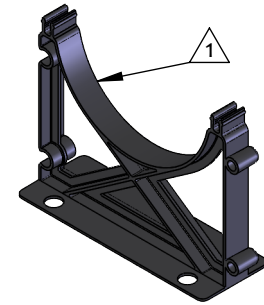
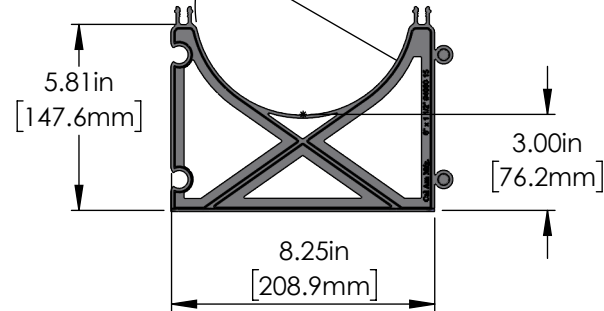


Ø 6.75in [171.4mm]  
CONDUIT SEAT



NOTES:

1 Material: HIPS (Black)

CAD files are available for all duct spacers.

Please visit <https://calam.net/cad-files/>

TITLE		DUCT SPACER BASE, 6" x 1-1/2"   150mm x 40mm		
<b>PROPRIETARY AND CONFIDENTIAL</b> THE INFORMATION CONTAINED IN THIS DRAWING IS THE SOLE PROPERTY OF CAL AM MANUFACTURING. ANY REPRODUCTION IN PART OR AS A WHOLE WITHOUT THE WRITTEN PERMISSION OF CAL AM MANUFACTURING IS PROHIBITED.	DRAWN	JC. MORENO	DATE	6-28-2023
	DRAWING NO.	4060-15-MKT	UNLESS OTHERWISE SPECIFIED DIMENSIONS ARE IN INCHES TOLERANCES:	
	REVISION	B	X±0.1	XX±0.05
			X.XX±0.030	X.XXX±0.020
SCALE:	1:3	PRODUCT NUMBER:	<b>4060-15</b>	
			SHEET 1 OF 1	

