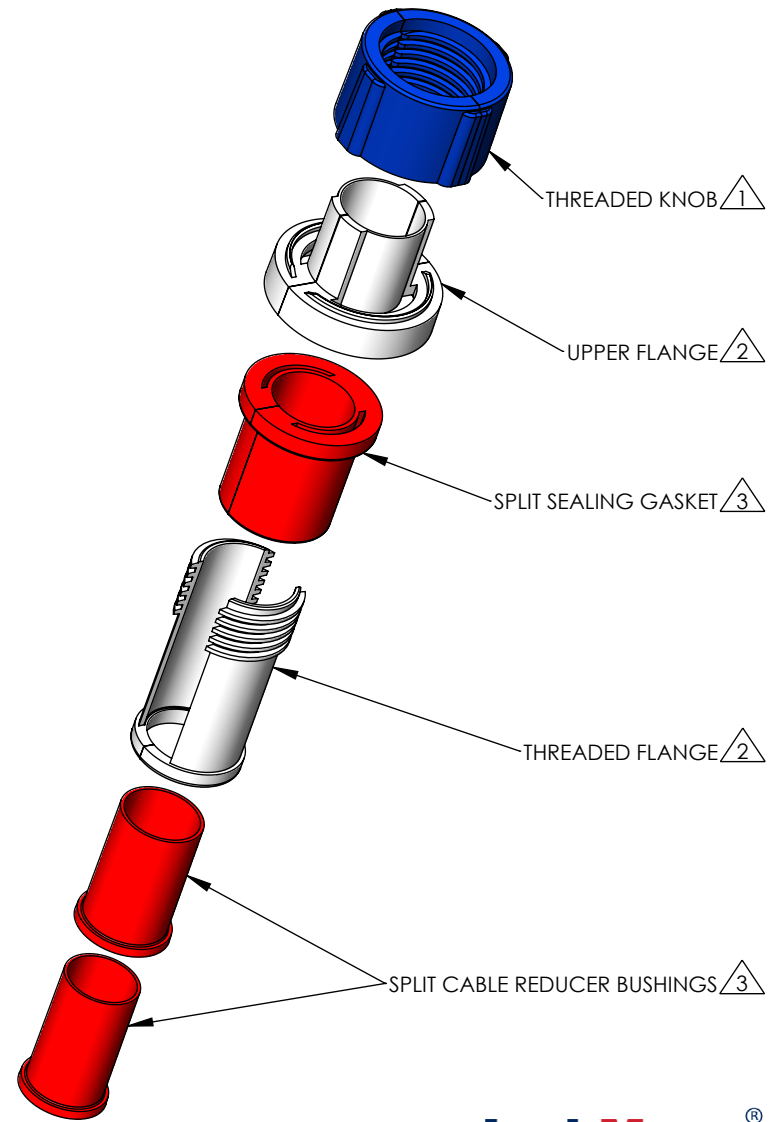
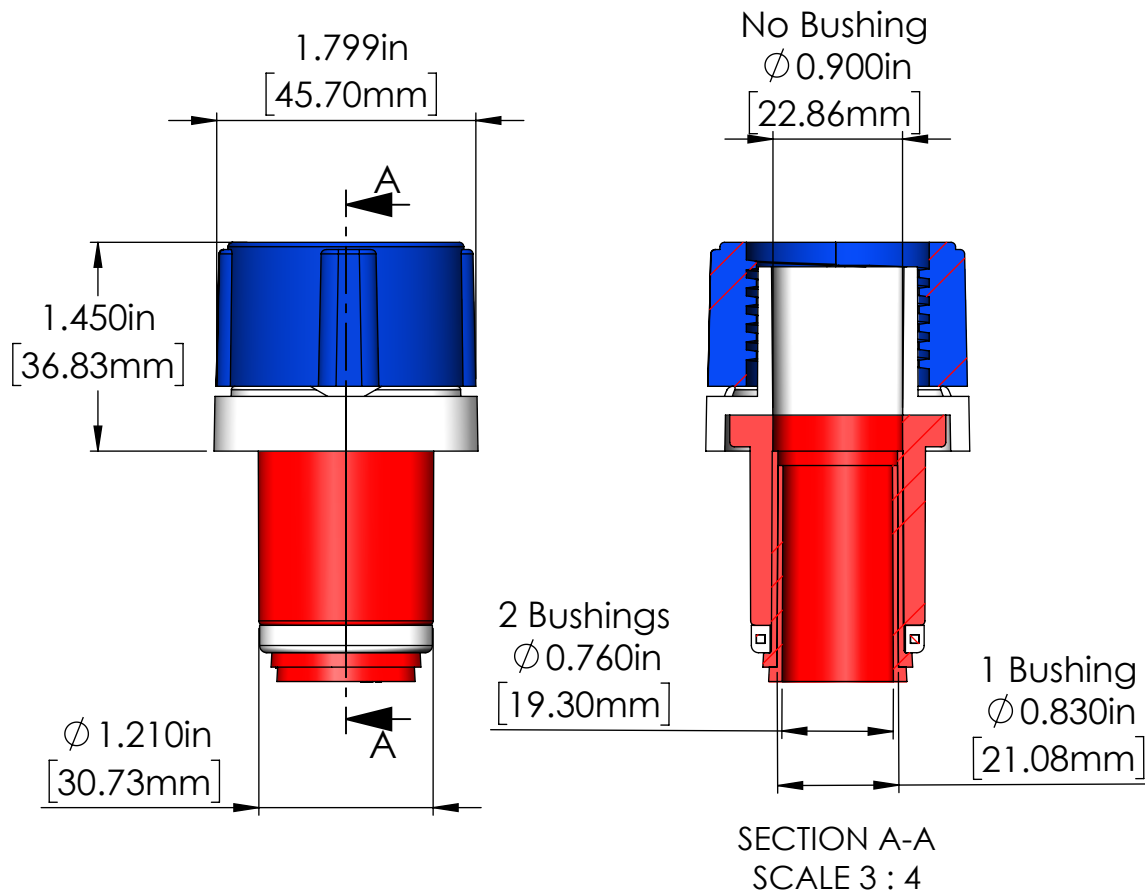


CONDUIT ID RANGE	APPLICABLE 1.25" [32mm] CONDUIT	PORT OD RANGE	BUSHING QUANTITY
1.220" - 1.360" [30.98mm - 34.54mm]	PVC SCH 80 HDPE SCH 80 HDPE SDR 11 HDPE SDR 9	0.710" - 0.900" [18.03mm - 22.86mm]	2

Applicable conduit types based on product's conduit ID range meeting or exceeding conduit ID dimensions specified in one or more of following standards: UL651, UL651A, ASTM F2160, NEMA TC 6 & 8



NOTES:

- 1 Material: PVC
- 2 Material: Nylon
- 3 Material: TPE

TITLE	FIBER OPTIC SIMPLEX PLUG, 1.25" 32mm		
PROPRIETARY AND CONFIDENTIAL THE INFORMATION CONTAINED IN THIS DRAWING IS THE SOLE PROPERTY OF CAL AM MANUFACTURING. ANY REPRODUCTION IN PART OR AS A WHOLE WITHOUT THE WRITTEN PERMISSION OF CAL AM MANUFACTURING IS PROHIBITED.	DRAWN	M.STOMA	DATE: 06-12-2022
	DRAWING NO.	7112-071-090	UNLESS OTHERWISE SPECIFIED DIMENSIONS ARE IN INCHES TOLERANCES: X±0.1 X.X±0.05 X.XX±0.030 X.XXX±0.020
	REVISION	A	
	SCALE:	1:1	PRODUCT NUMBER:

JackMoon[®]
Sealing Devices

 **CAL AM**
MANUFACTURING
www.CalAm.net

SHEET 1 OF 1