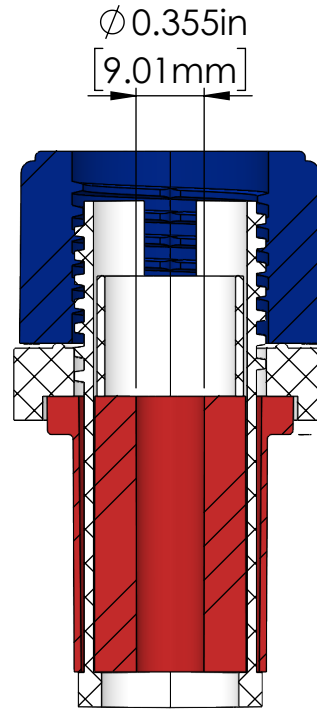
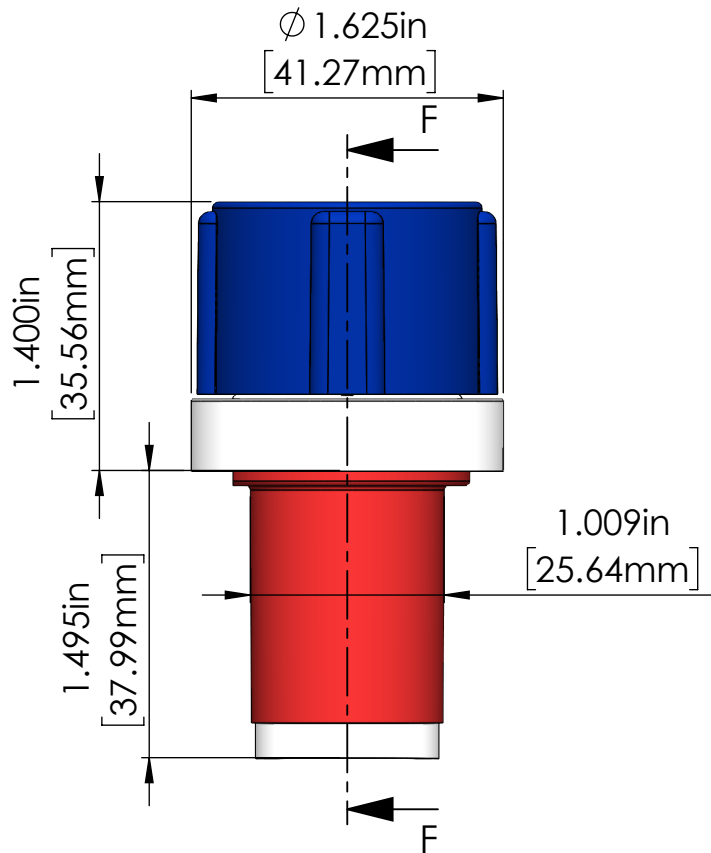
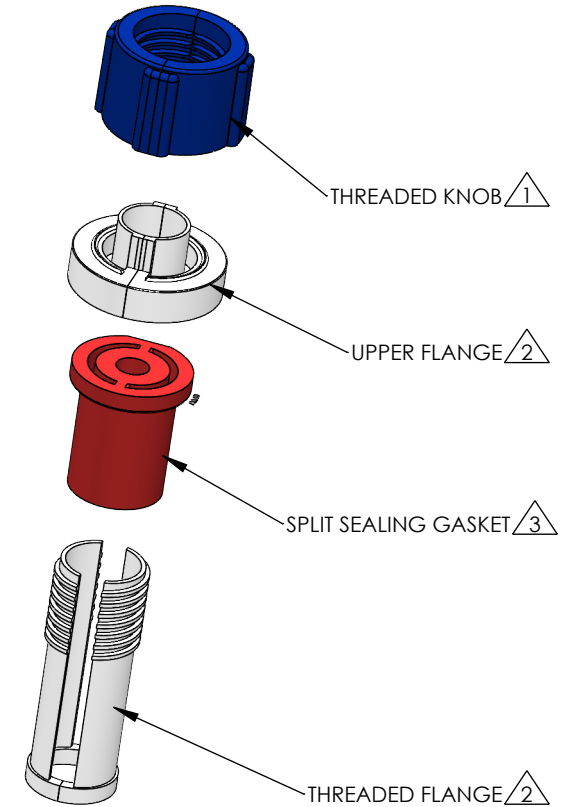


CONDUIT ID RANGE	APPLICABLE 1" [25mm] CONDUIT	PORT OD RANGE	BUSHING QUANTITY
1.050" - 1.130" [26.67mm - 28.70mm]	HDPE SDR 11 HDPE SDR 13.5	0.270" - 0.350" [6.86mm - 8.89mm]	0

Applicable conduit types based on product's conduit ID range meeting or exceeding conduit ID dimensions specified in one or more of following standards: UL651, UL651A, ASTM F2160, NEMA TC 6 & 8



SECTION F-F
SCALE 1 : 1



NOTES:

- 1 Material: PVC
- 2 Material: Nylon
- 3 Material: TPE

TITLE	FIBER OPTIC SIMPLEX PLUG, 1.00" 25mm, PORT 0.27" - 0.35" 6.86mm - 8.89mm		
PROPRIETARY AND CONFIDENTIAL THE INFORMATION CONTAINED IN THIS DRAWING IS THE SOLE PROPERTY OF CAL AM MANUFACTURING. ANY REPRODUCTION IN PART OR AS A WHOLE WITHOUT THE WRITTEN PERMISSION OF CAL AM MANUFACTURING IS PROHIBITED.	DRAWN	JC. MORENO	DATE: 07-13-2023
	DRAWING NO.	7110-027-035	UNLESS OTHERWISE SPECIFIED DIMENSIONS ARE IN INCHES TOLERANCES: X±0.1 X.X±0.05 X.XX±0.030 X.XXX±0.020
	REVISION	A	
	SCALE:	1:1	PRODUCT NUMBER:

JackMoon[®]
Sealing Devices



CAL AM

MANUFACTURING

www.CalAm.net