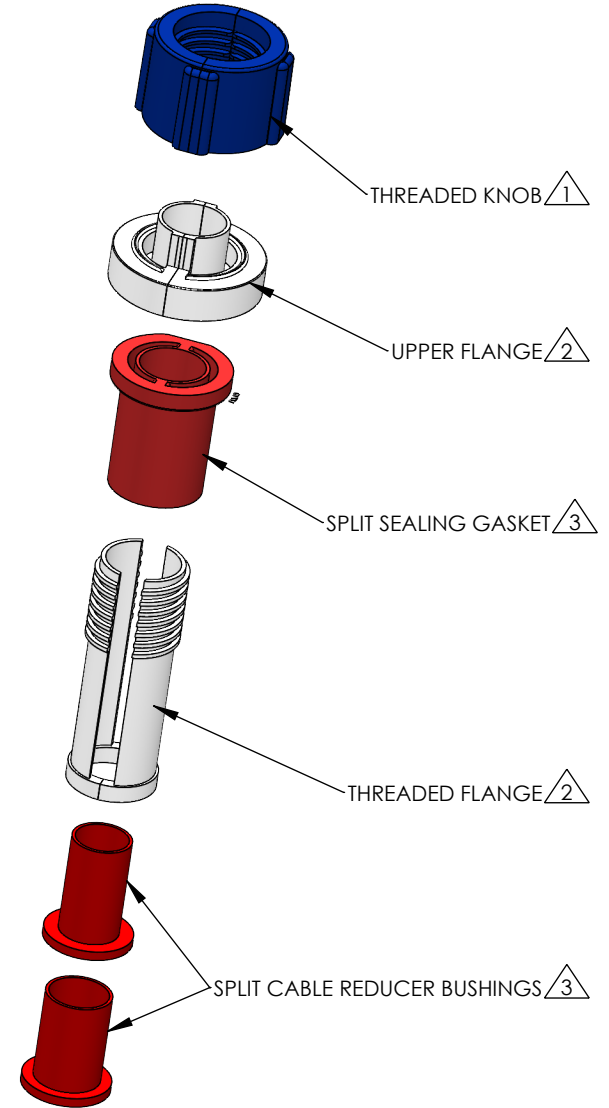
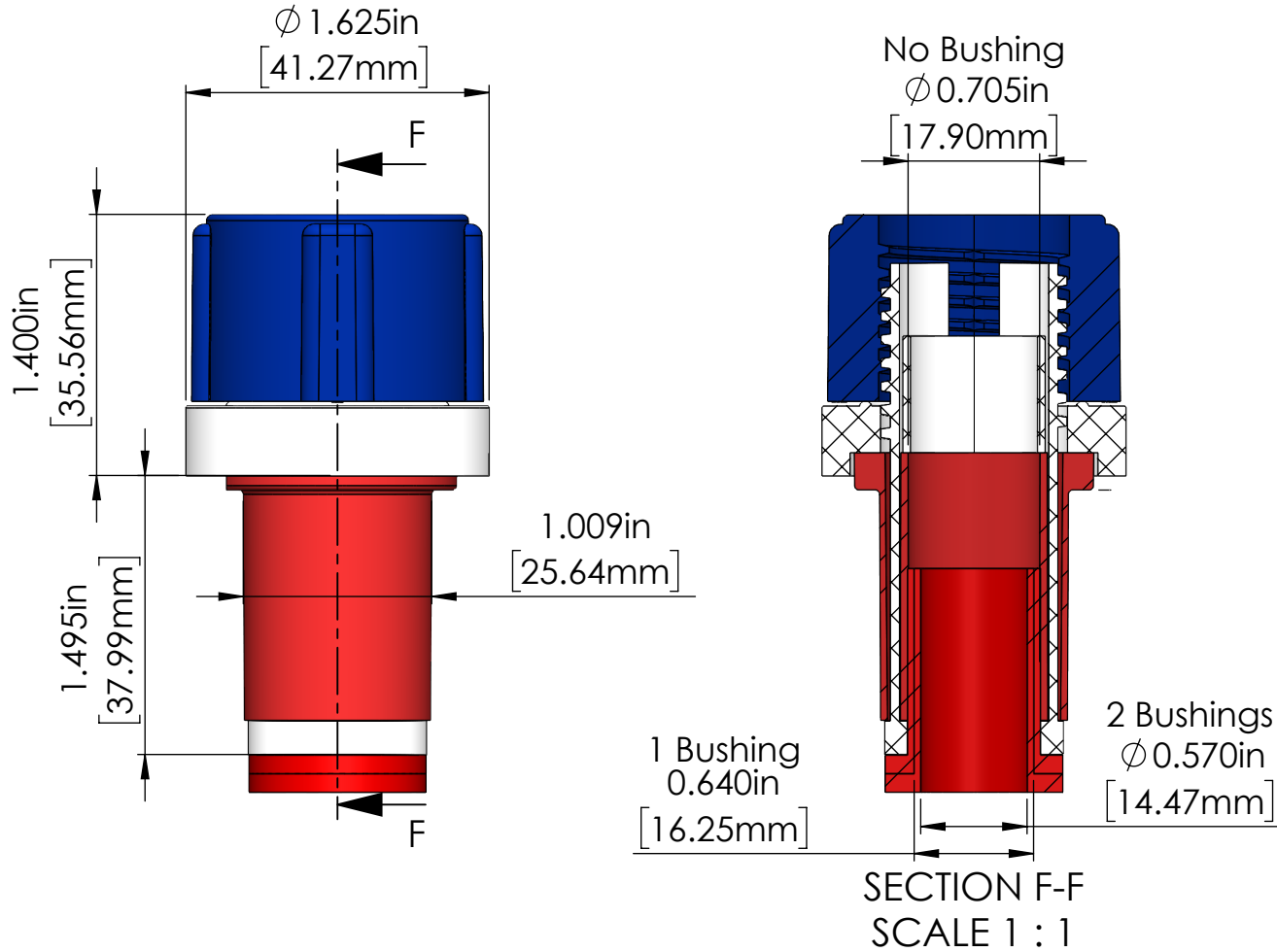


CONDUIT ID RANGE	APPLICABLE 1" [25mm] CONDUIT	PORT OD RANGE	BUSHING QUANTITY
1.050" - 1.130" [26.67mm - 28.70mm]	HDPE SDR 11 HDPE SDR 13.5	0.510" - 0.710" [12.95mm - 18.03mm]	2

Applicable conduit types based on product's conduit ID range meeting or exceeding conduit ID dimensions specified in one or more of following standards: UL651, UL651A, ASTM F2160, NEMA TC 6 & 8



NOTES:

- 1 Material: PVC
- 2 Material: Nylon
- 3 Material: TPE

TITLE	FIBER OPTIC SIMPLEX PLUG, 1.00" 25mm, PORT 0.51" - 0.71" 12.95mm - 18.03mm	
PROPRIETARY AND CONFIDENTIAL THE INFORMATION CONTAINED IN THIS DRAWING IS THE SOLE PROPERTY OF CAL AM MANUFACTURING. ANY REPRODUCTION IN PART OR AS A WHOLE WITHOUT THE WRITTEN PERMISSION OF CAL AM MANUFACTURING IS PROHIBITED.	DRAWN	JC. MORENO
	DATE:	07-14-2023
	DRAWING NO.	7110-051-071
	REVISION	A
SCALE:	1:1	UNLESS OTHERWISE SPECIFIED DIMENSIONS ARE IN INCHES TOLERANCES: X \pm 0.1 X.X \pm 0.05 X.XX \pm 0.030 X.XXX \pm 0.020
	PRODUCT NUMBER:	7110-051-071

JackMoon[®]
Sealing Devices

CAL AM
MANUFACTURING
www.CalAm.net