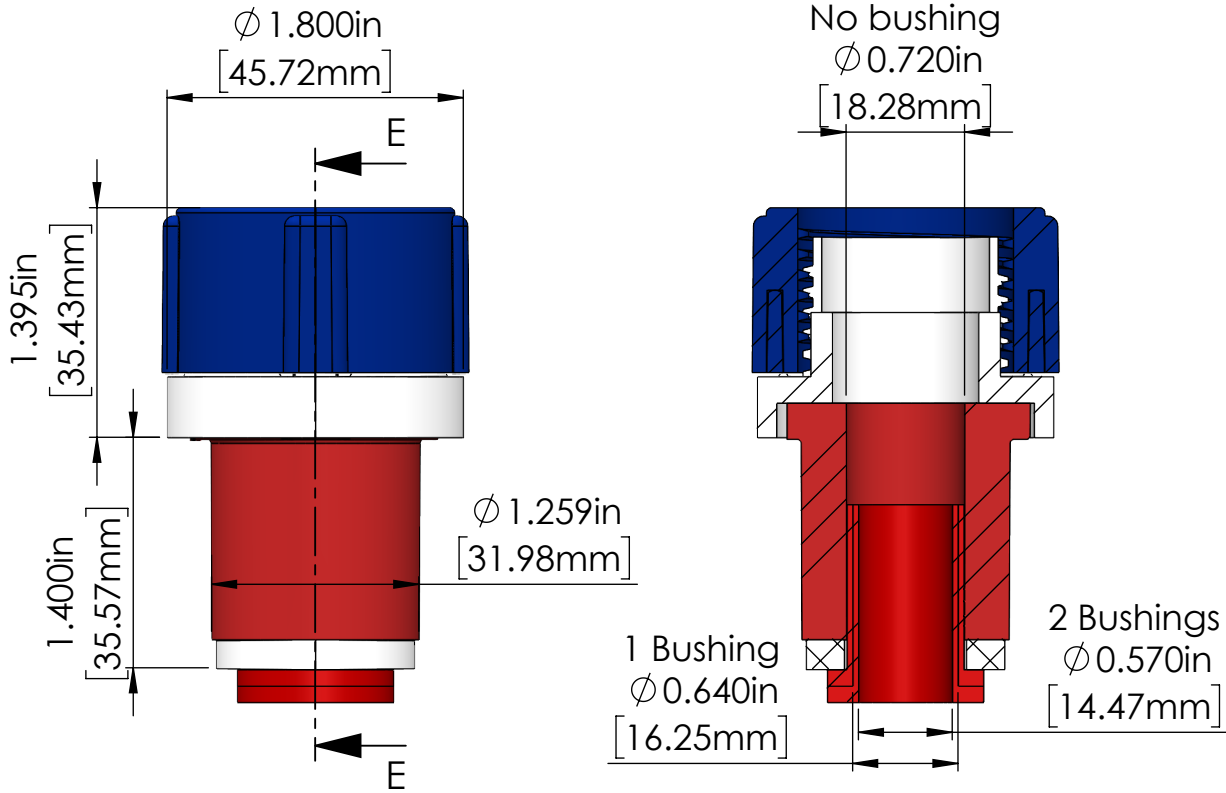
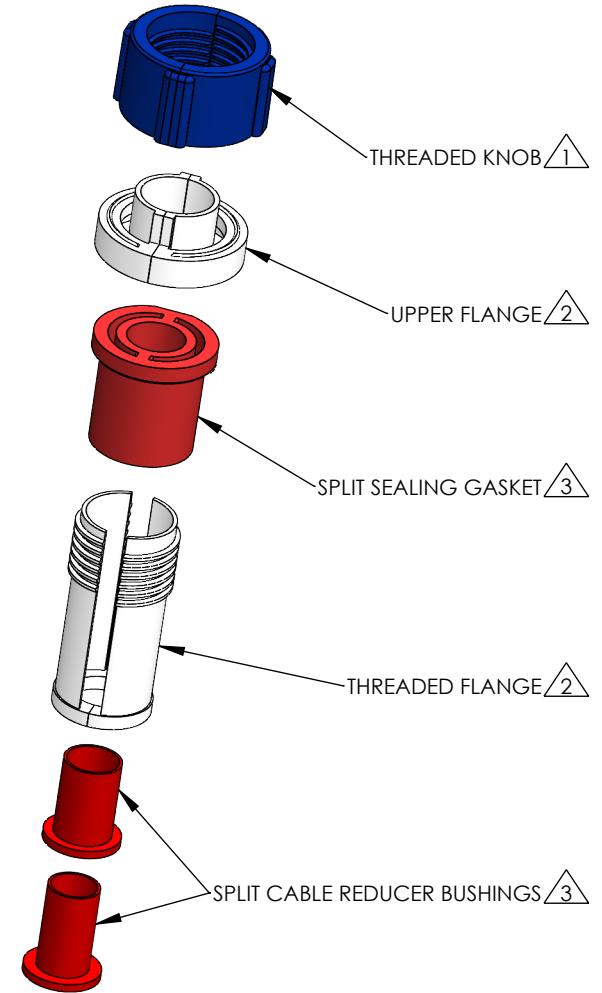


CONDUIT ID RANGE	APPLICABLE 1.25" [32mm] CONDUIT	PORT OD RANGE	BUSHING QUANTITY
1.280" - 1.360" [32.51mm - 34.54mm]	HDPE SCH 40 HDPE SDR 11	0.510" - 0.710" [12.95mm - 18.03mm]	2

Applicable conduit types based on product's conduit ID range meeting or exceeding conduit ID dimensions specified in one or more of following standards: UL651, UL651A, ASTM F2160, NEMA TC 6 & 8



SECTION E-E
SCALE 6 : 7



NOTES:

- 1 Material: PVC
- 2 Material: Nylon
- 3 Material: TPE

TITLE	FIBER OPTIC SIMPLEX PLUG, 1.25" 32mm, PORT 0.51" - 0.71" 12.95mm - 18.03mm	
PROPRIETARY AND CONFIDENTIAL THE INFORMATION CONTAINED IN THIS DRAWING IS THE SOLE PROPERTY OF CAL AM MANUFACTURING. ANY REPRODUCTION IN PART OR AS A WHOLE WITHOUT THE WRITTEN PERMISSION OF CAL AM MANUFACTURING IS PROHIBITED.	DRAWN	JC. MORENO
	DRAWING NO.	7112-051-071
	REVISION	A
	SCALE:	1:1
	DATE:	07-17-2023
	UNLESS OTHERWISE SPECIFIED DIMENSIONS ARE IN INCHES TOLERANCES:	
	X±0.1	X.X±0.05
	X.XX±0.030	X.XXX±0.020
	PRODUCT NUMBER:	7112-051-071

JackMoon[®]
Sealing Devices

CAL AM
MANUFACTURING
www.CalAm.net

SHEET 1 OF 1