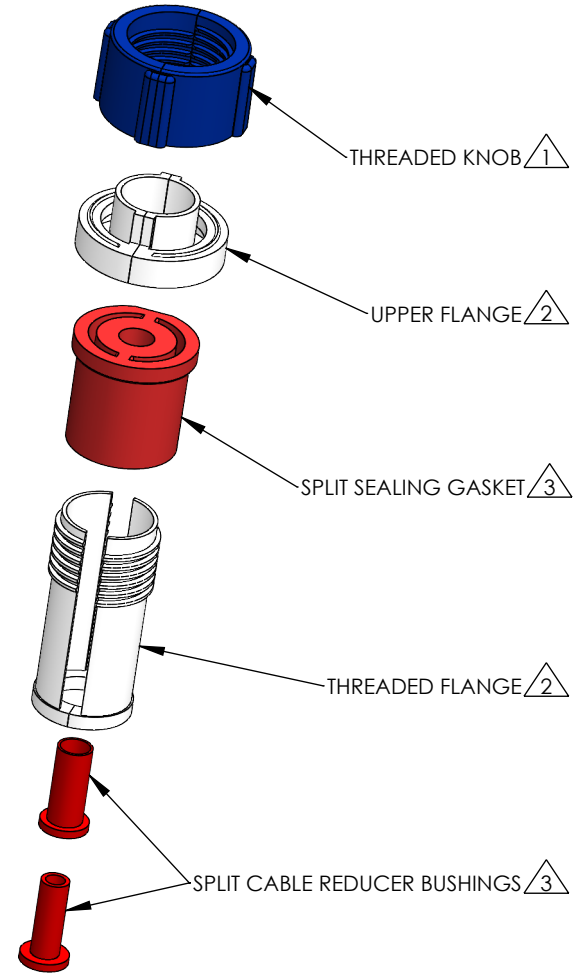
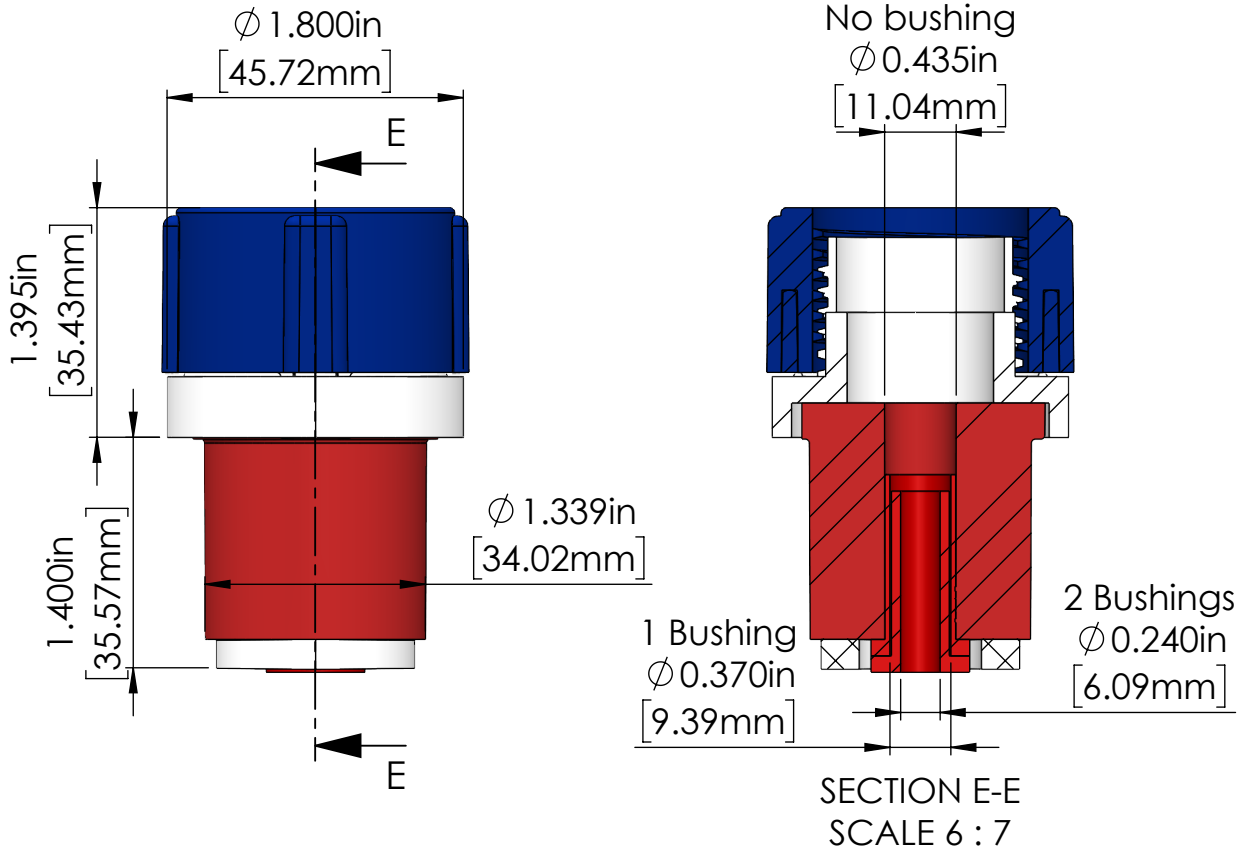


CONDUIT ID RANGE	APPLICABLE 1.375" [35mm] CONDUIT	PORT OD RANGE	BUSHING QUANTITY
1.400" - 1.500" [35.56mm - 38.10mm]	HDPE SDR 13.5 HDPE SDR 15.5	0.120" - 0.430" [3.05mm - 10.92mm]	2

Applicable conduit types based on product's conduit ID range meeting or exceeding conduit ID dimensions specified in one or more of following standards: UL651, UL651A, ASTM F2160, NEMA TC 6 & 8



NOTES:

- 1 Material: PVC
- 2 Material: Nylon
- 3 Material: TPE

TITLE	FIBER OPTIC SIMPLEX PLUG, 1.375" 35mm, PORT 0.12" - 0.43" 3.05mm - 10.92mm	
PROPRIETARY AND CONFIDENTIAL THE INFORMATION CONTAINED IN THIS DRAWING IS THE SOLE PROPERTY OF CAL AM MANUFACTURING. ANY REPRODUCTION IN PART OR AS A WHOLE WITHOUT THE WRITTEN PERMISSION OF CAL AM MANUFACTURING IS PROHIBITED.	DRAWN	JC. MORENO
	DRAWING NO.	7113-012-043
	REVISION	A
	SCALE:	1:1
	DATE:	07-17-2023
	UNLESS OTHERWISE SPECIFIED DIMENSIONS ARE IN INCHES TOLERANCES: X±0.1 X.X±0.05 X.XX±0.030 X.XXX±0.020	
	PRODUCT NUMBER:	7113-012-043

JackMoon[®]
Sealing Devices



CAL AM

MANUFACTURING

www.CalAm.net