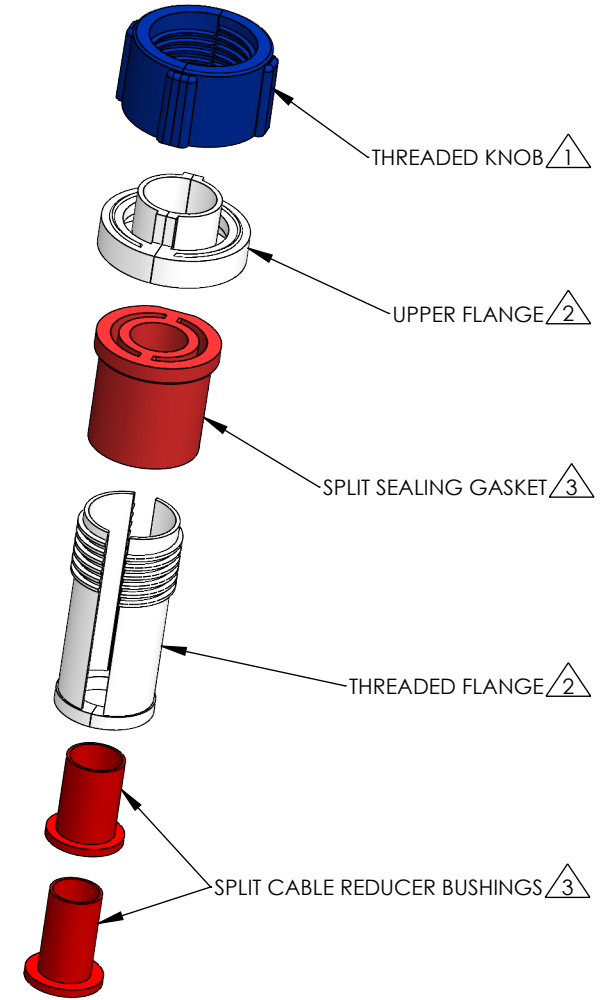
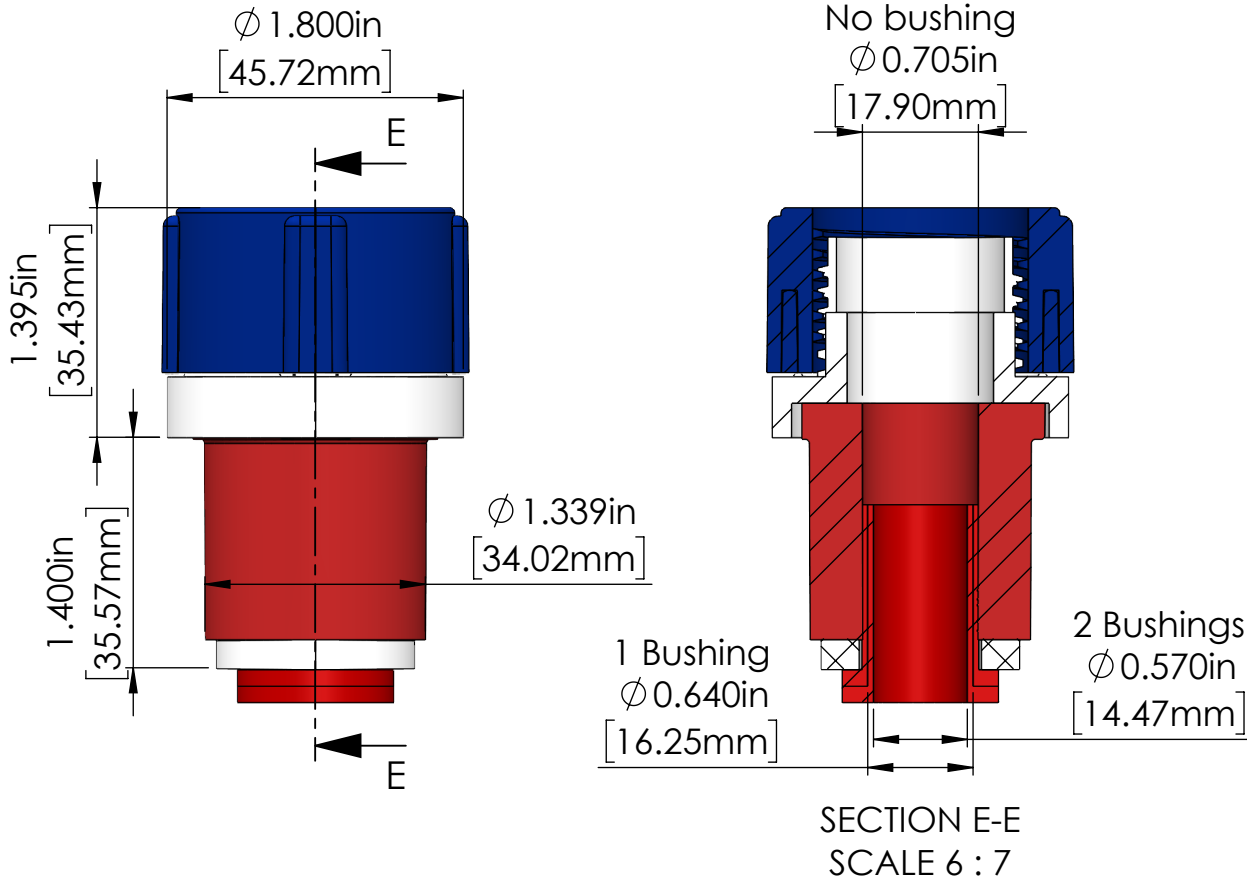


CONDUIT ID RANGE	APPLICABLE 1.375" [35mm] CONDUIT	PORT OD RANGE	BUSHING QUANTITY
1.400" - 1.500" [35.56mm - 38.10mm]	HDPE SDR 13.5 HDPE SDR 15.5	0.510" - 0.710" [12.95mm - 18.03mm]	2

Applicable conduit types based on product's conduit ID range meeting or exceeding conduit ID dimensions specified in one or more of following standards: UL651, UL651A, ASTM F2160, NEMA TC 6 & 8



NOTES:

- 1 Material: PVC
- 2 Material: Nylon
- 3 Material: TPE

TITLE	FIBER OPTIC SIMPLEX PLUG, 1.375"   35mm, PORT 0.51" - 0.71"   12.95mm - 18.03mm		
<b>PROPRIETARY AND CONFIDENTIAL</b>  THE INFORMATION CONTAINED IN THIS DRAWING IS THE SOLE PROPERTY OF CAL AM MANUFACTURING. ANY REPRODUCTION IN PART OR AS A WHOLE WITHOUT THE WRITTEN PERMISSION OF CAL AM MANUFACTURING IS PROHIBITED.	DRAWN	JC. MORENO	DATE: 07-17-2023
	DRAWING NO.	7113-051-071	UNLESS OTHERWISE SPECIFIED DIMENSIONS ARE IN INCHES TOLERANCES: X±0.1      X.X±0.05 X.XX±0.030    X.XXX±0.020
	REVISION	A	
	SCALE:	1:1	PRODUCT NUMBER:

**JackMoon**<sup>®</sup>  
Sealing Devices

**CAL AM**  
MANUFACTURING

www.CalAm.net

SHEET 1 OF 1