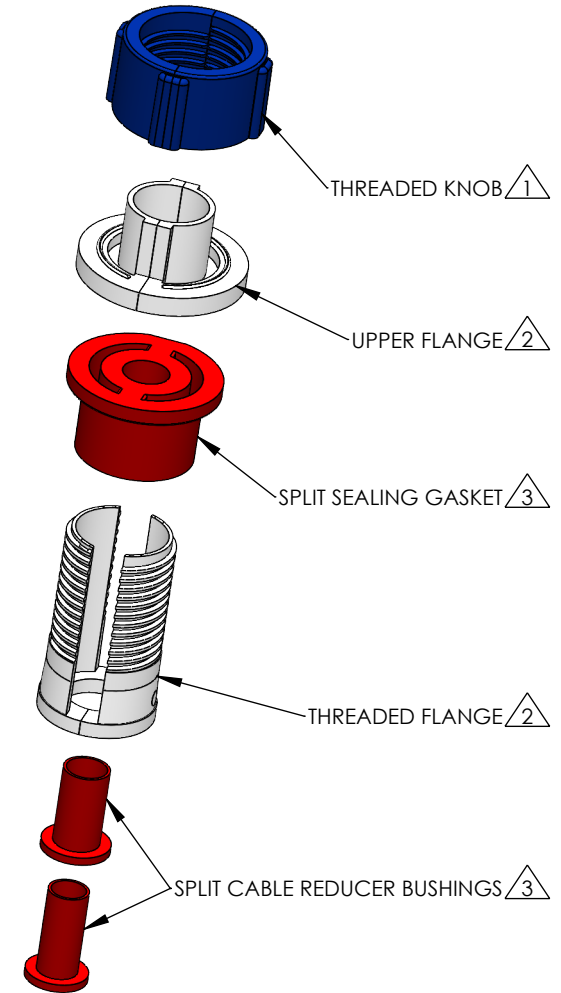
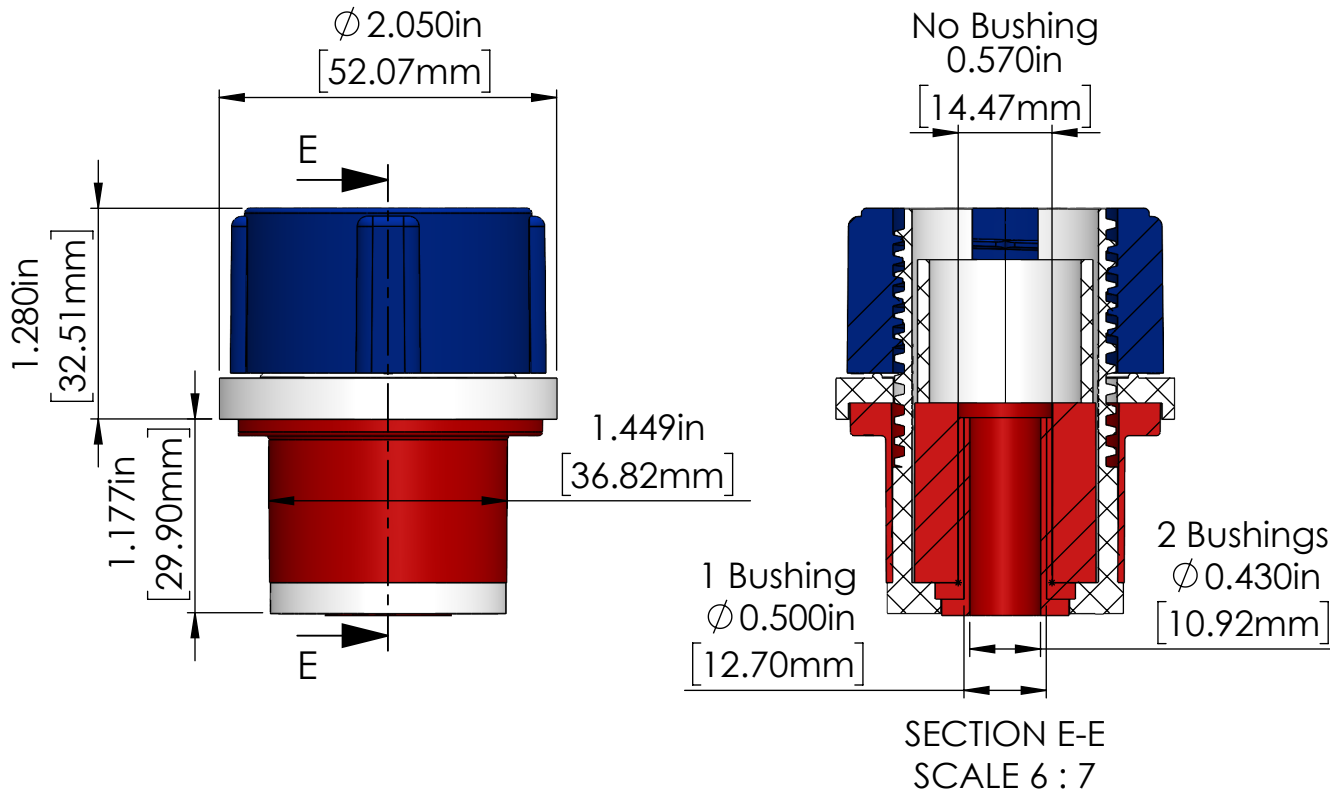


CONDUIT ID RANGE	APPLICABLE 1.50" [40mm] CONDUIT	PORT OD RANGE	BUSHING QUANTITY
1.460" - 1.560" [37.08mm - 39.62mm]	HDPE SDR 11	0.350" - 0.570" [8.89mm - 14.48mm]	2

Applicable conduit types based on product's conduit ID range meeting or exceeding conduit ID dimensions specified in one or more of following standards: UL651, UL651A, ASTM F2160, NEMA TC 6 & 8



NOTES:

- 1 Material: PVC
- 2 Material: Nylon
- 3 Material: TPE

TITLE		FIBER OPTIC SIMPLEX PLUG, 1.50"   40mm, PORT 0.35" - 0.57"   8.89mm - 14.48mm	
<b>PROPRIETARY AND CONFIDENTIAL</b>  THE INFORMATION CONTAINED IN THIS DRAWING IS THE SOLE PROPERTY OF CAL AM MANUFACTURING. ANY REPRODUCTION IN PART OR AS A WHOLE WITHOUT THE WRITTEN PERMISSION OF CAL AM MANUFACTURING IS PROHIBITED.	DRAWN	JC. MORENO	DATE: 07-17-2023
	DRAWING NO.	7115-035-057	UNLESS OTHERWISE SPECIFIED DIMENSIONS ARE IN INCHES TOLERANCES: X±0.1      X.X±0.05 X.XX±0.030      X.XXX±0.020
	REVISION	A	
	SCALE:	1:1	PRODUCT NUMBER:



SHEET 1 OF 1