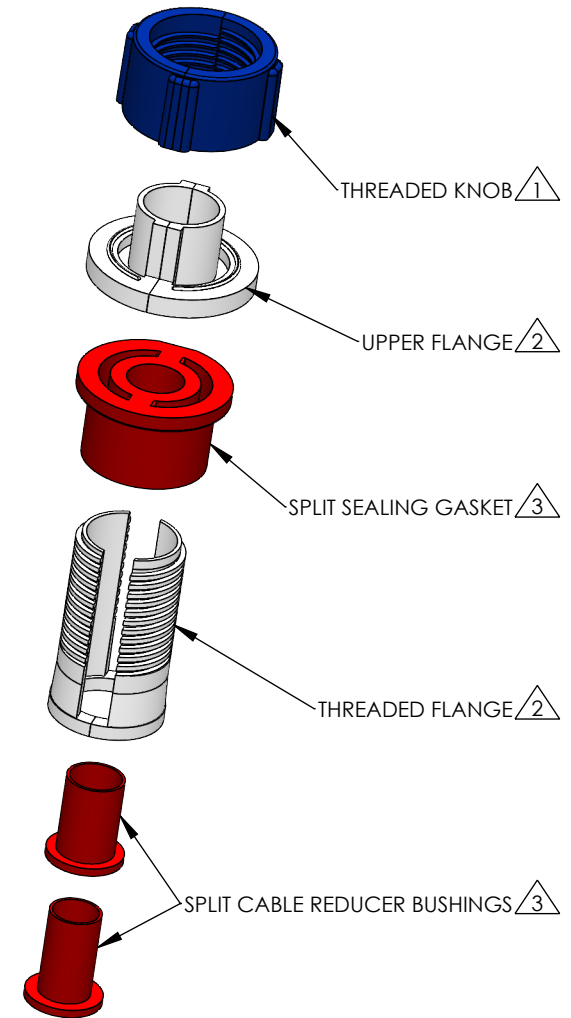
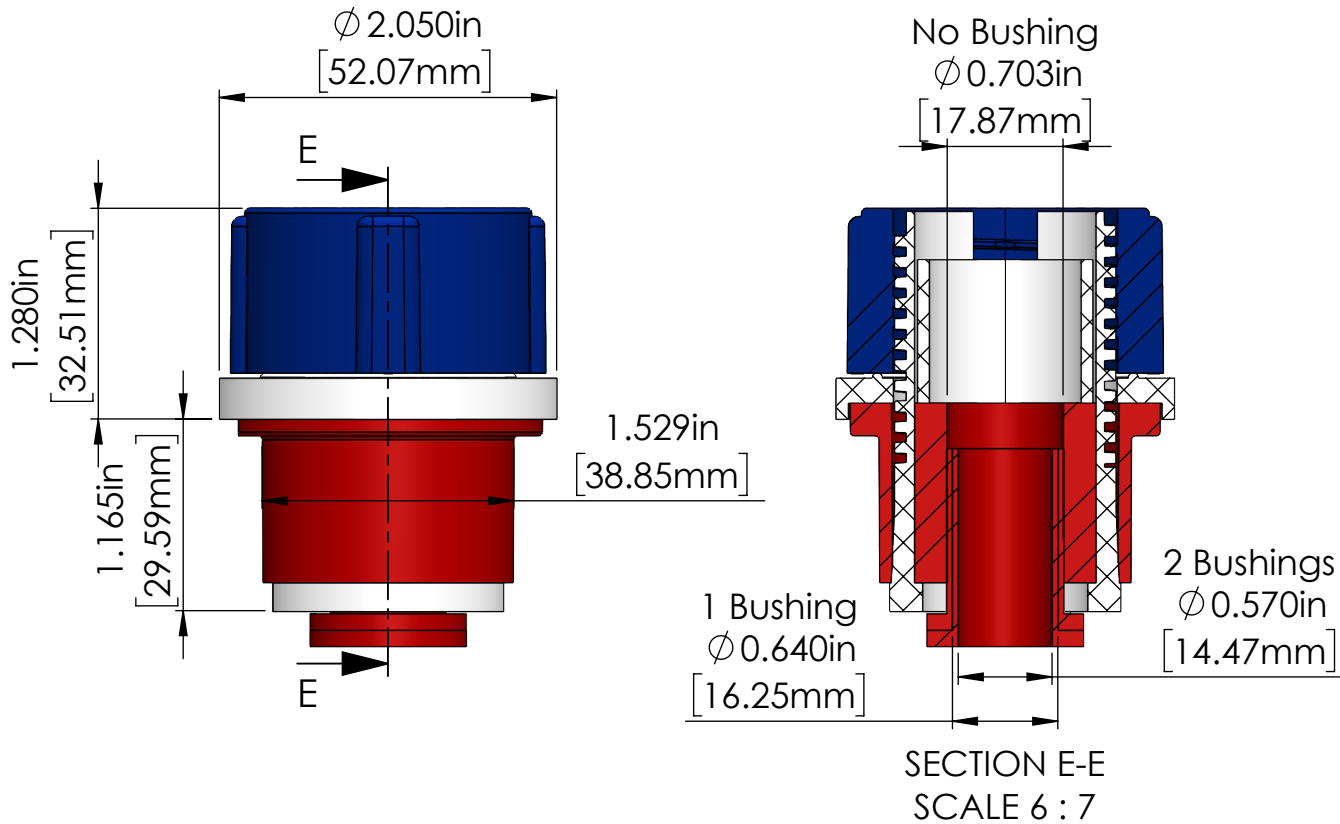


CONDUIT ID RANGE	APPLICABLE 1.50" [40mm] CONDUIT	PORT OD RANGE	BUSHING QUANTITY
1.560" - 1.700" [39.62mm - 43.18mm]	HDPE SCH 40 HDPE SDR 13.5 HDPE SDR 15.5 PVC SCH 40	0.510" - 0.710" [12.95mm - 18.03mm]	2

Applicable conduit types based on product's conduit ID range meeting or exceeding conduit ID dimensions specified in one or more of following standards: UL651, UL651A, ASTM F2160, NEMA TC 6 & 8



NOTES:

- 1 Material: PVC
- 2 Material: Nylon
- 3 Material: TPE

TITLE	FIBER OPTIC SIMPLEX PLUG, 1.60"   41mm, PORT 0.51" - 0.71"   12.95mm - 18.03mm	
<b>PROPRIETARY AND CONFIDENTIAL</b>  THE INFORMATION CONTAINED IN THIS DRAWING IS THE SOLE PROPERTY OF CAL AM MANUFACTURING. ANY REPRODUCTION IN PART OR AS A WHOLE WITHOUT THE WRITTEN PERMISSION OF CAL AM MANUFACTURING IS PROHIBITED.	DRAWN	JC. MORENO
	DRAWING NO.	7116-051-071
	REVISION	A
	SCALE:	1:1
	DATE:	07-18-2023
	UNLESS OTHERWISE SPECIFIED DIMENSIONS ARE IN INCHES TOLERANCES: X±0.1    X.X±0.05 X.XX±0.030    X.XXX±0.020	
	PRODUCT NUMBER:	<b>7116-051-071</b>

**JackMoon**<sup>®</sup>  
Sealing Devices



www.CalAm.net