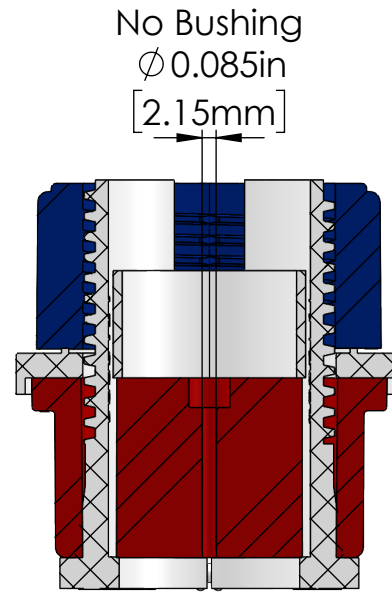
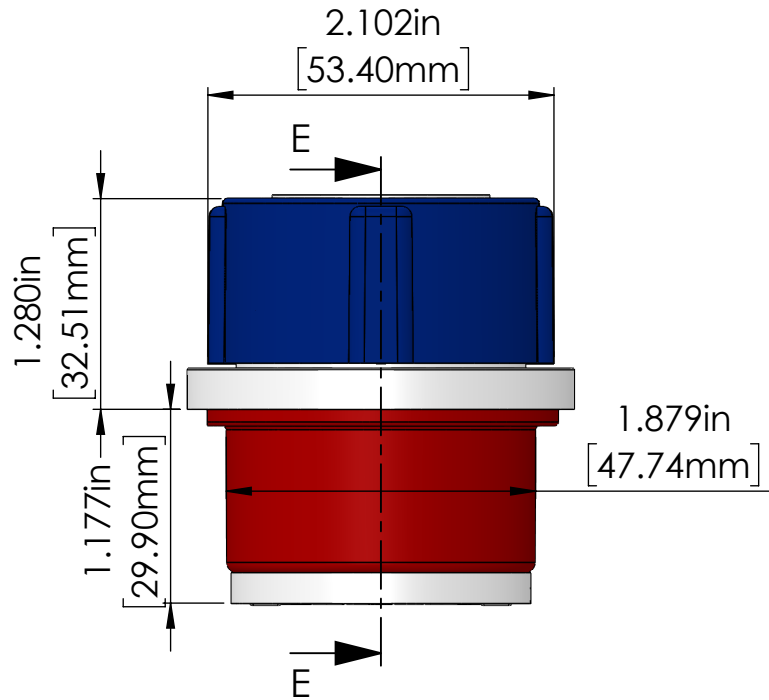
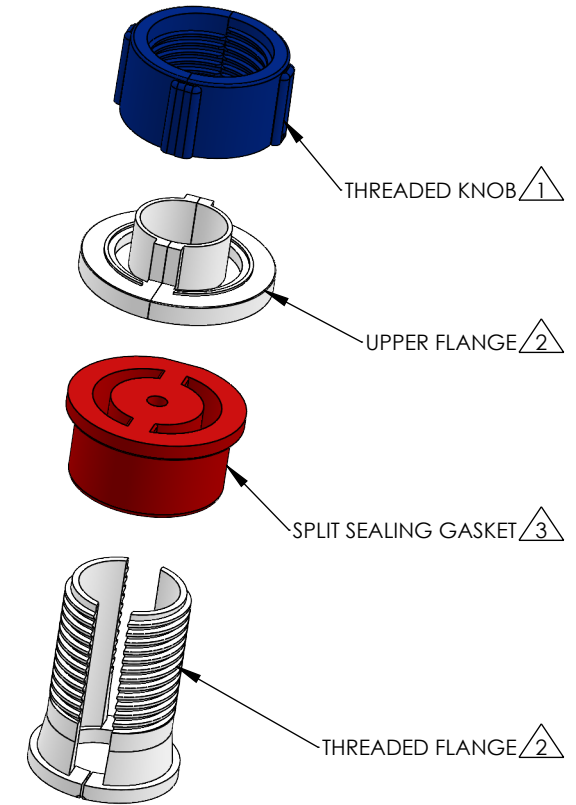


CONDUIT ID RANGE	APPLICABLE 2" [50mm] CONDUIT	PORT OD RANGE	BUSHING QUANTITY
1.920" - 2.060" [48.76mm - 52.32mm]	HDPE SCH 40 HDPE SDR 13.5 HDPE SDR 15.5 PVC SCH 40	0.080" - 0.140" [2.03mm - 6.10mm]	0

Applicable conduit types based on product's conduit ID range meeting or exceeding conduit ID dimensions specified in one or more of following standards: UL651, UL651A, ASTM F2160, NEMA TC 6 & 8



SECTION E-E  
SCALE 6 : 7



NOTES:

- 1 Material: PVC
- 2 Material: Nylon
- 3 Material: TPE

TITLE	FIBER OPTIC SIMPLEX PLUG, 2.00"   50mm, PORT 0.08" - 0.14"   2.03mm - 3.56mm		
<b>PROPRIETARY AND CONFIDENTIAL</b>  THE INFORMATION CONTAINED IN THIS DRAWING IS THE SOLE PROPERTY OF CAL AM MANUFACTURING. ANY REPRODUCTION IN PART OR AS A WHOLE WITHOUT THE WRITTEN PERMISSION OF CAL AM MANUFACTURING IS PROHIBITED.	DRAWN	JC. MORENO	DATE: 07-21-2023
	DRAWING NO.	7120-008-014	UNLESS OTHERWISE SPECIFIED DIMENSIONS ARE IN INCHES TOLERANCES: X±0.1      X.X±0.05 X.XX±0.030    X.XXX±0.020
	REVISION	A	
	SCALE:	1:1	PRODUCT NUMBER:

**JackMoon**<sup>®</sup>  
Sealing Devices



CAL AM

MANUFACTURING

www.CalAm.net