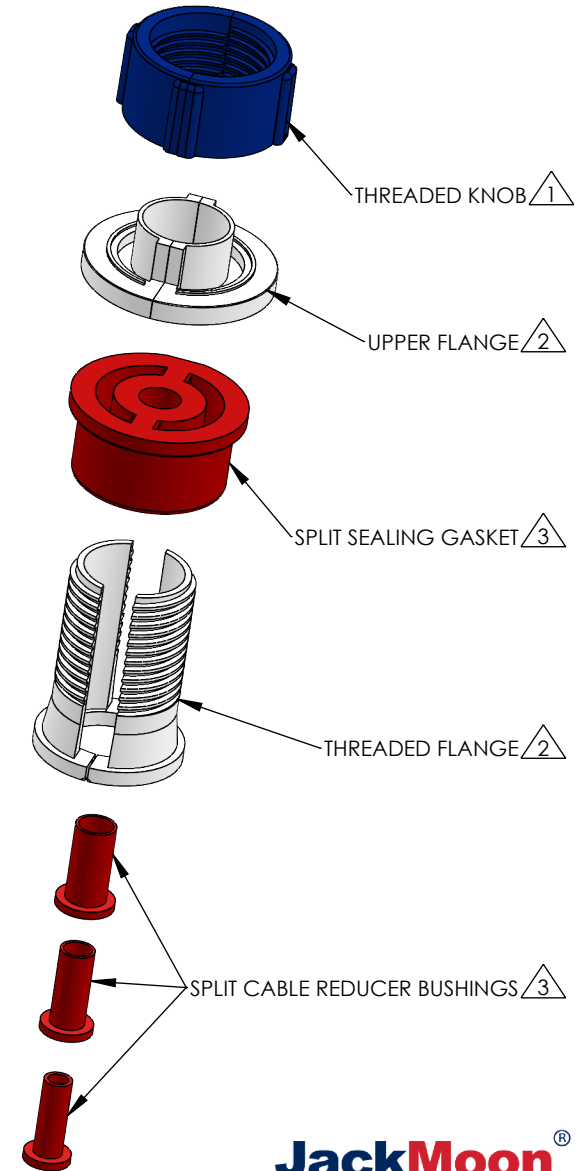
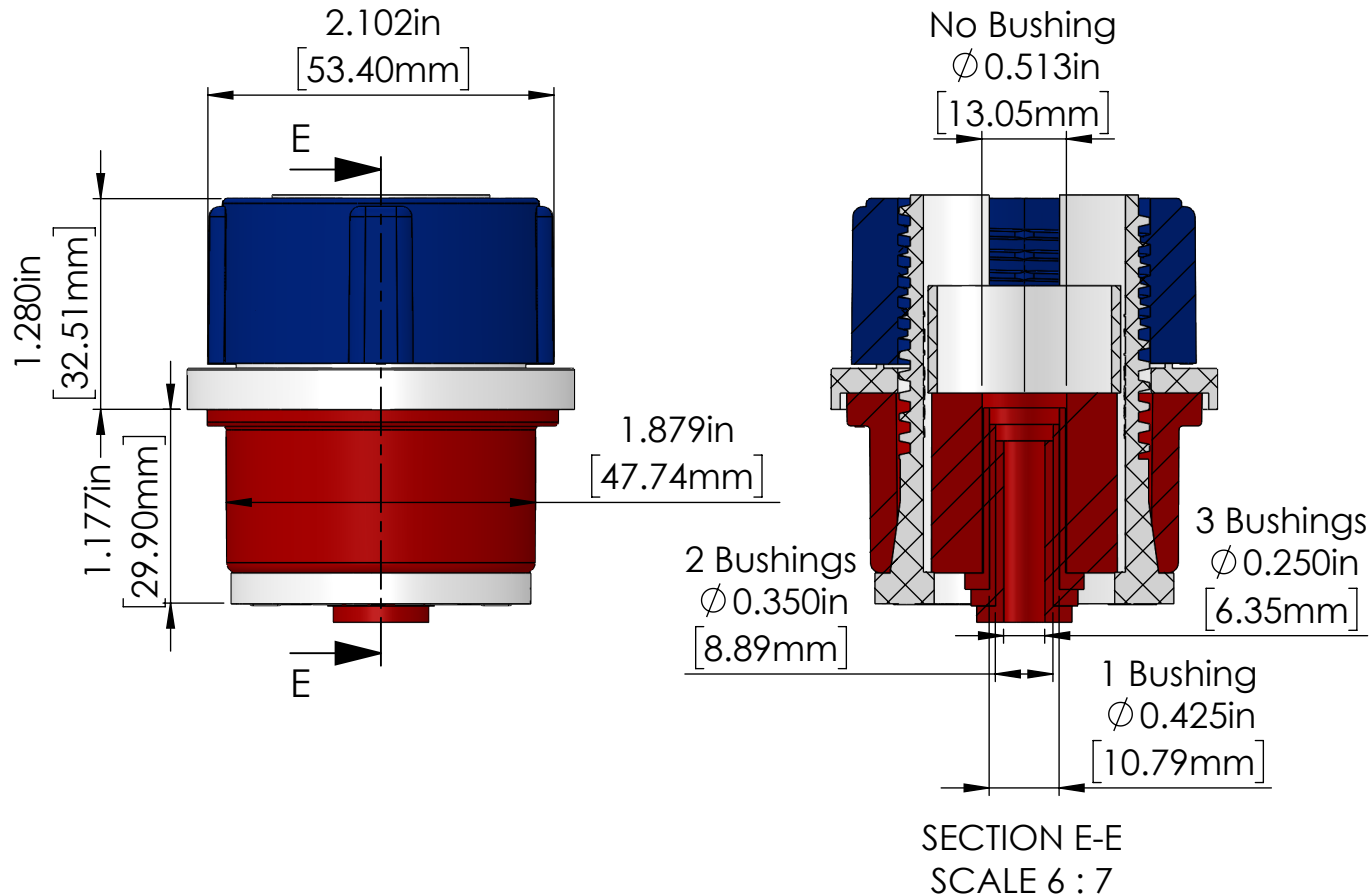


CONDUIT ID RANGE	APPLICABLE 2" [50mm] CONDUIT	PORT OD RANGE	BUSHING QUANTITY
1.920" - 2.060" [48.76mm - 52.32mm]	HDPE SCH 40 HDPE SDR 13.5 HDPE SDR 15.5 PVC SCH 40	0.250" - 0.510" [6.35mm - 12.95mm]	3

Applicable conduit types based on product's conduit ID range meeting or exceeding conduit ID dimensions specified in one or more of following standards: UL651, UL651A, ASTM F2160, NEMA TC 6 & 8



NOTES:

- 1 Material: PVC
- 2 Material: Nylon
- 3 Material: TPE

TITLE	FIBER OPTIC SIMPLEX PLUG, 2.00"   50mm, PORT 0.25" - 0.51"   6.35mm - 12.95mm	
<b>PROPRIETARY AND CONFIDENTIAL</b>  THE INFORMATION CONTAINED IN THIS DRAWING IS THE SOLE PROPERTY OF CAL AM MANUFACTURING. ANY REPRODUCTION IN PART OR AS A WHOLE WITHOUT THE WRITTEN PERMISSION OF CAL AM MANUFACTURING IS PROHIBITED.	DRAWN	JC. MORENO
	DRAWING NO.	7120-025-051
	REVISION	A
	SCALE:	1:1
	DATE:	07-21-2023
	UNLESS OTHERWISE SPECIFIED DIMENSIONS ARE IN INCHES TOLERANCES: X $\pm$ 0.1    X.X $\pm$ 0.05 X.XX $\pm$ 0.030    X.XXX $\pm$ 0.020	
	PRODUCT NUMBER:	<b>7120-025-051</b>



SHEET 1 OF 1