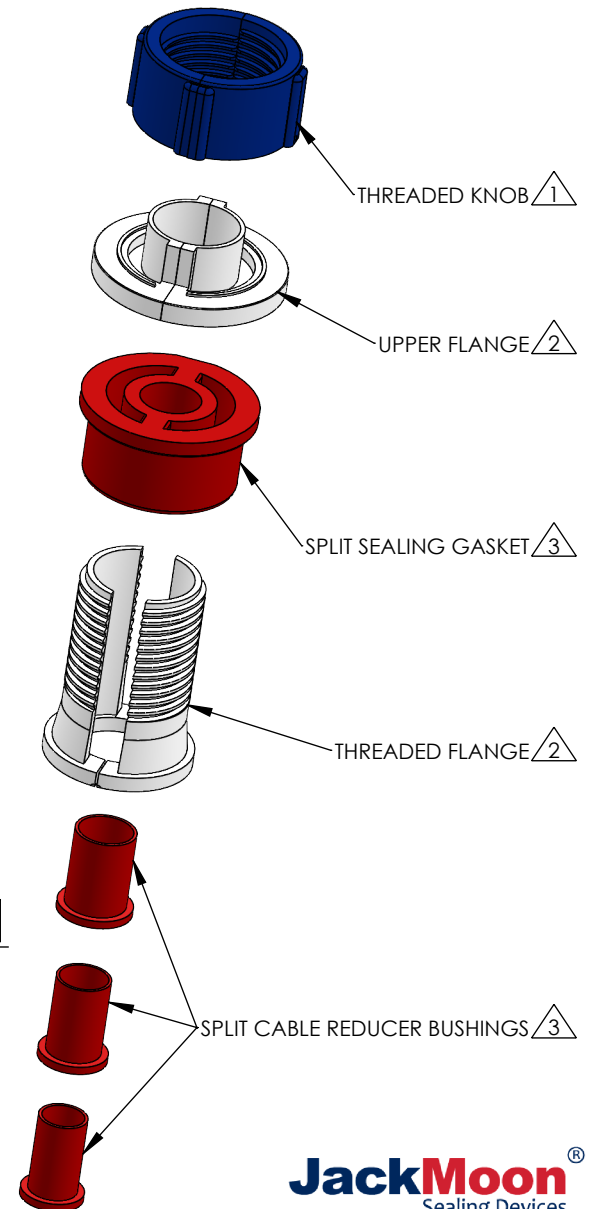
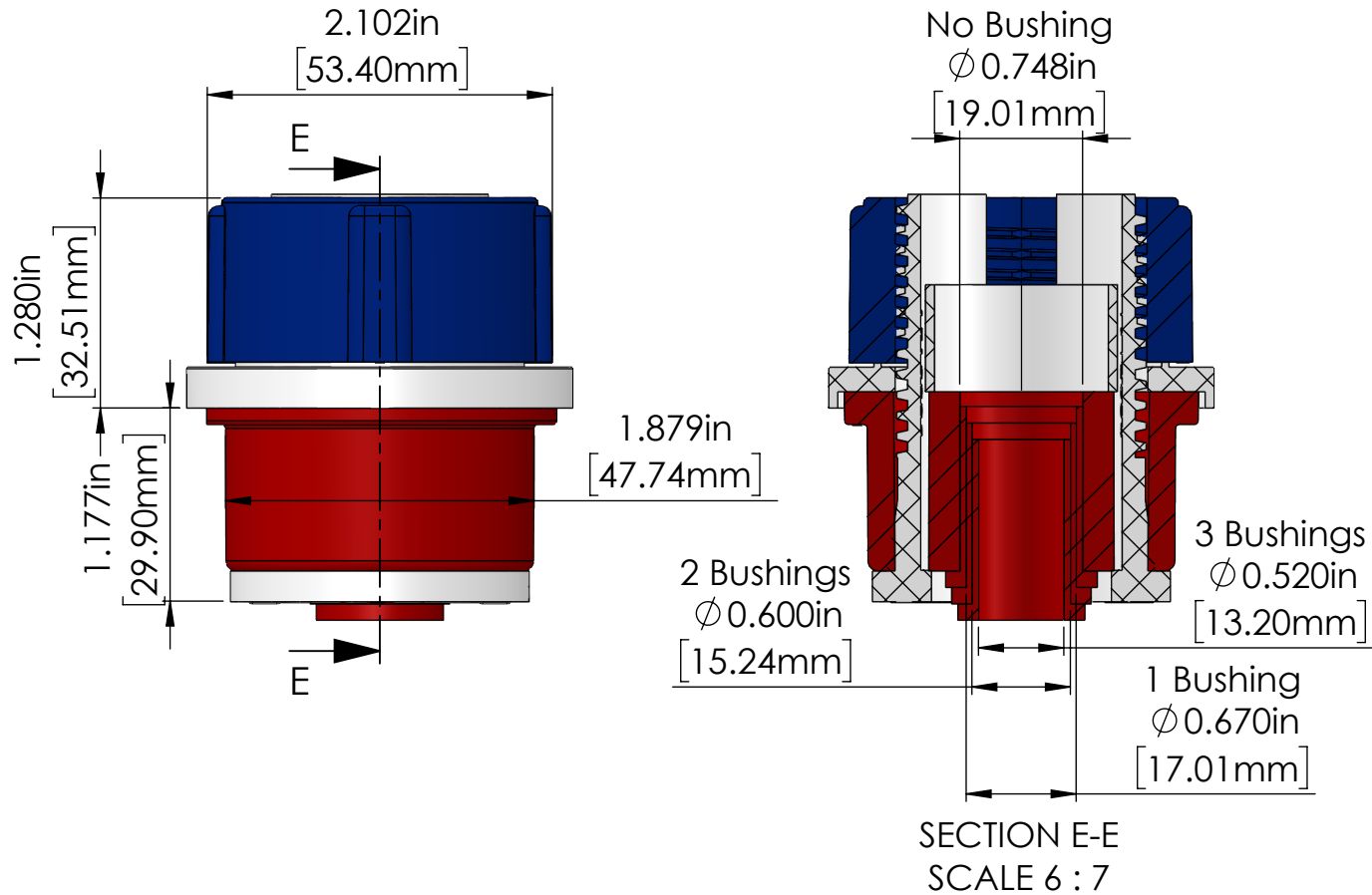


CONDUIT ID RANGE	APPLICABLE 2" [50mm] CONDUIT	PORT OD RANGE	BUSHING QUANTITY
1.920" - 2.060" [48.76mm - 52.32mm]	HDPE SCH 40 HDPE SDR 13.5 HDPE SDR 15.5 PVC SCH 40	0.520" - 0.750" [13.21mm - 19.05mm]	3

Applicable conduit types based on product's conduit ID range meeting or exceeding conduit ID dimensions specified in one or more of following standards: UL651, UL651A, ASTM F2160, NEMA TC 6 & 8



NOTES:

- 1 Material: PVC
- 2 Material: Nylon
- 3 Material: TPE

TITLE	FIBER OPTIC SIMPLEX PLUG, 2.00" 50mm, PORT 0.52" - 0.75" 13.21mm - 19.05mm	
PROPRIETARY AND CONFIDENTIAL THE INFORMATION CONTAINED IN THIS DRAWING IS THE SOLE PROPERTY OF CAL AM MANUFACTURING. ANY REPRODUCTION IN PART OR AS A WHOLE WITHOUT THE WRITTEN PERMISSION OF CAL AM MANUFACTURING IS PROHIBITED.	DRAWN	JC. MORENO
	DRAWING NO.	7120-052-075
	REVISION	A
	SCALE:	1:1
	DATE:	07-24-2023
	UNLESS OTHERWISE SPECIFIED DIMENSIONS ARE IN INCHES TOLERANCES:	
	X \pm 0.1	X.X \pm 0.05
	X.XX \pm 0.030	X.XXX \pm 0.020
	PRODUCT NUMBER:	7120-052-075



SHEET 1 OF 1