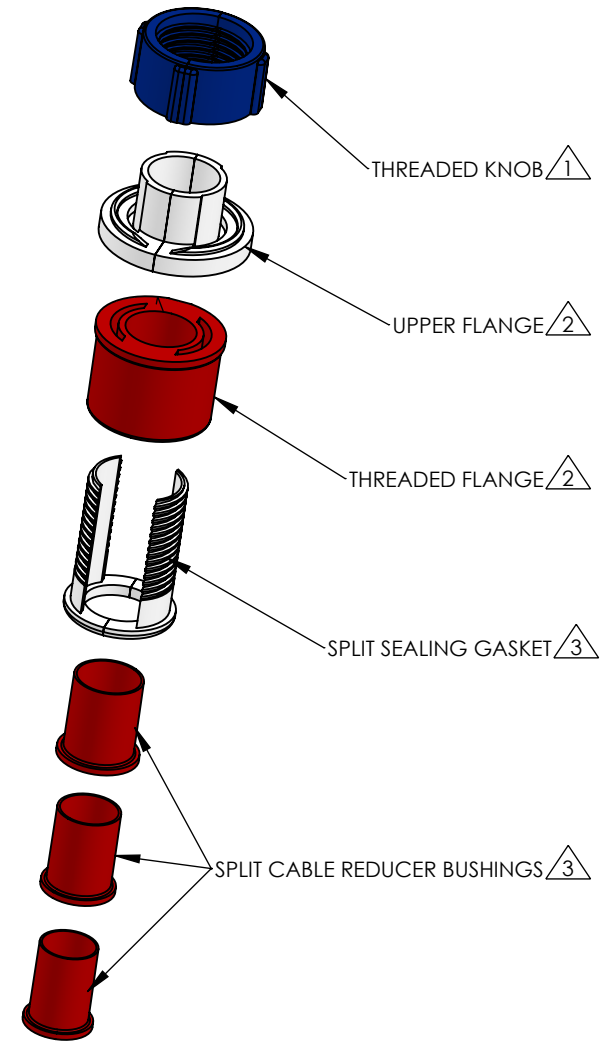
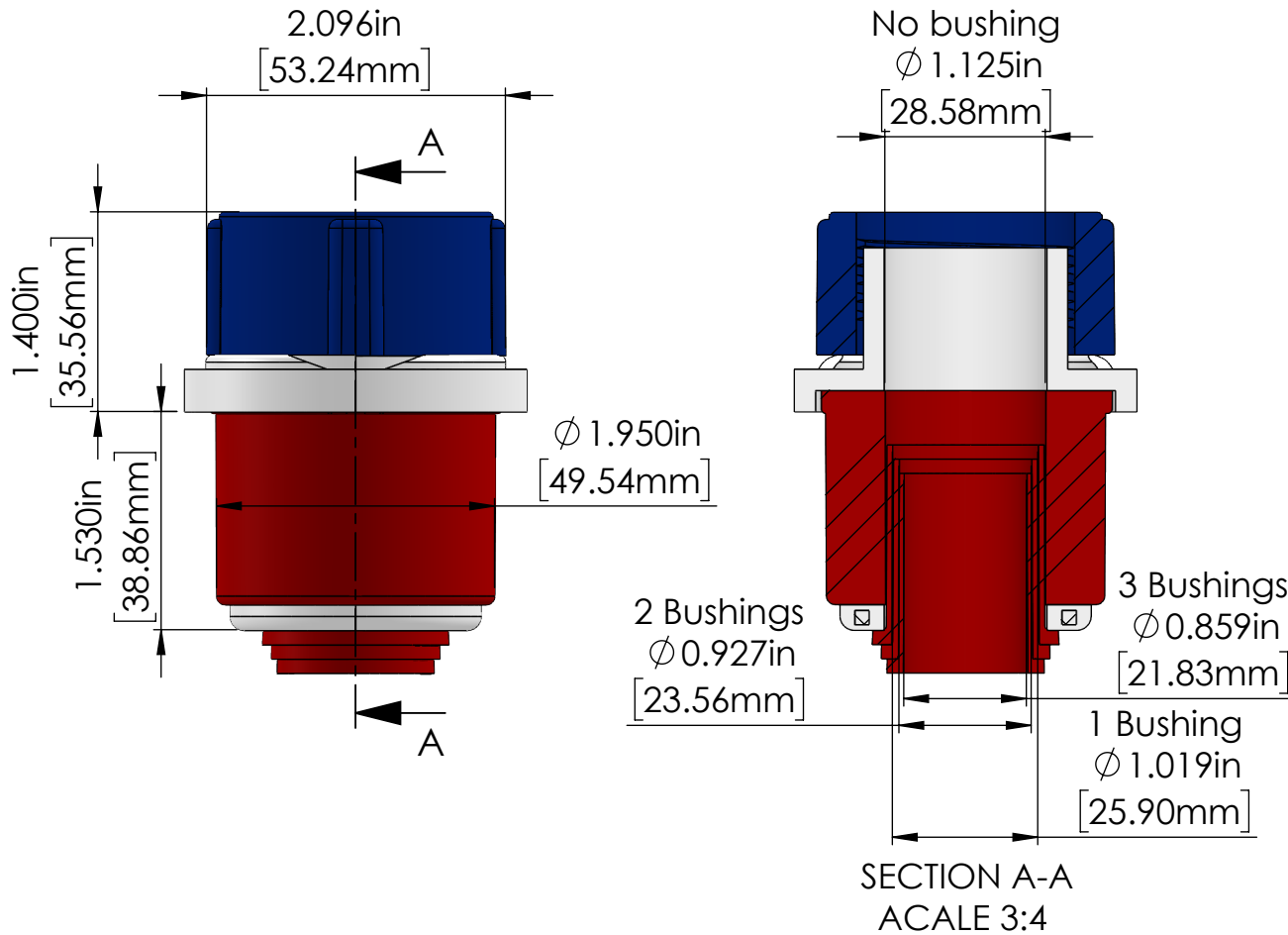


CONDUIT ID RANGE	APPLICABLE 2" [50mm] CONDUIT	PORT OD RANGE	BUSHING QUANTITY
1.950" - 2.080" [49.53mm - 58.83mm]	HDPE SCH 40 HDPE SDR 13.5 HDPE SDR 15.5 PVC SCH 40	0.810" - 1.120" [20.57mm - 28.45mm]	3

Applicable conduit types based on product's conduit ID range meeting or exceeding conduit ID dimensions specified in one or more of following standards: UL651, UL651A, ASTM F2160, NEMA TC 6 & 8



NOTES:

- 1 Material: PVC
- 2 Material: Nylon
- 3 Material: TPE

TITLE	FIBER OPTIC SIMPLEX PLUG, 2.00" 50mm, PORT 0.81" - 1.12" 20.57mm - 28.45mm		
PROPRIETARY AND CONFIDENTIAL THE INFORMATION CONTAINED IN THIS DRAWING IS THE SOLE PROPERTY OF CAL AM MANUFACTURING. ANY REPRODUCTION IN PART OR AS A WHOLE WITHOUT THE WRITTEN PERMISSION OF CAL AM MANUFACTURING IS PROHIBITED.	DRAWN	JC. MORENO	DATE: 07-25-2023
	DRAWING NO.	7120-090-110	UNLESS OTHERWISE SPECIFIED DIMENSIONS ARE IN INCHES TOLERANCES: X±0.1 X.X±0.05 X.XX±0.030 X.XXX±0.020
	REVISION	A	
	SCALE:	1:1	PRODUCT NUMBER:

JackMoon[®]
Sealing Devices

CAL AM
MANUFACTURING
www.CalAm.net

SHEET 1 OF 1