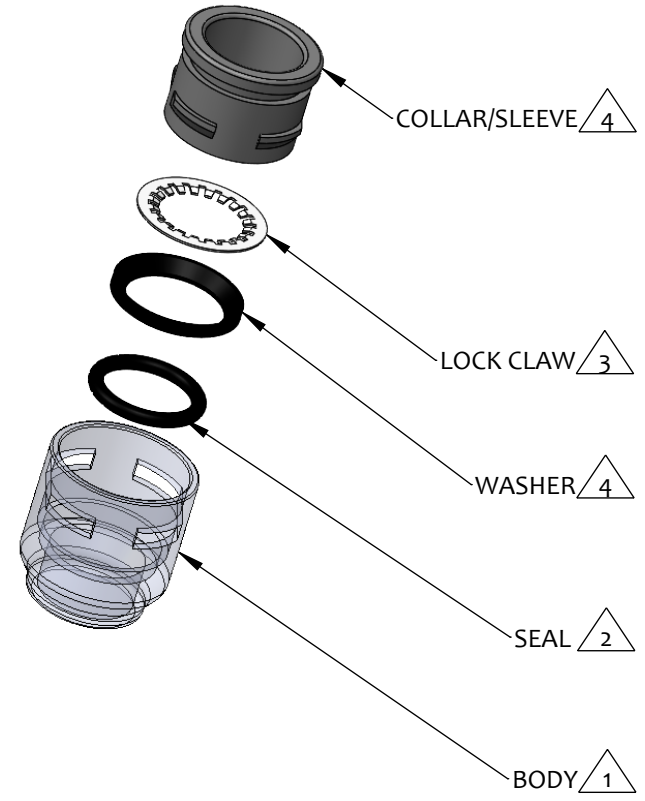
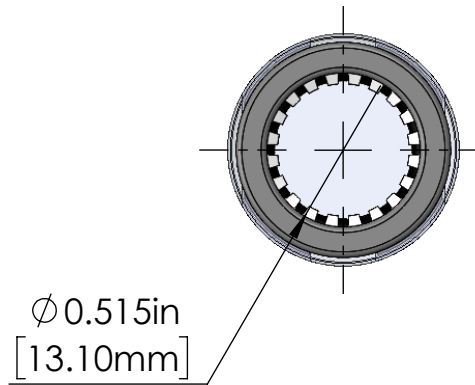
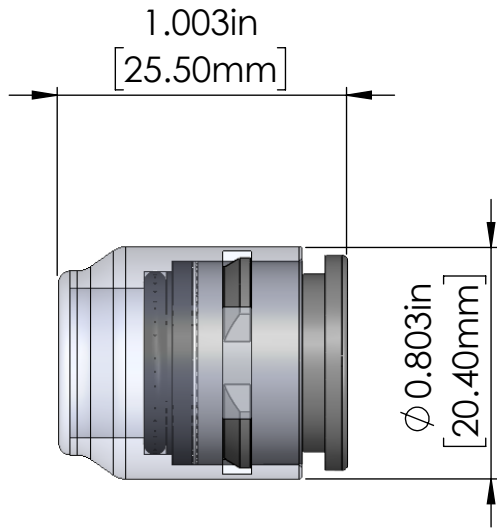



PRODUCT NUMBER	CAP SIZE	COLOR
3151-122	12.7/10mm	GREY



NOTES:

- 1 Material: Polycarbonate
- 2 Material: Nitrile
- 3 Material: Stainless Steel
- 4 Material: Acetal

TITLE	MICRODUCT CAP, 12.7/10mm, GREY			 www.CalAm.net
PROPRIETARY AND CONFIDENTIAL THE INFORMATION CONTAINED IN THIS DRAWING IS THE SOLE PROPERTY OF CAL AM MANUFACTURING. ANY REPRODUCTION IN PART OR AS A WHOLE WITHOUT THE WRITTEN PERMISSION OF CAL AM MANUFACTURING IS PROHIBITED.	DRAWN	M. STOMA	DATE:	
	DRAWING NO.	3151-122 MKT	UNLESS OTHERWISE SPECIFIED DIMENSIONS ARE IN INCHES TOLERANCES:	
	REVISION	A	X±0.1	X.X±0.05
	SCALE:	3:2	X.XX±0.030	X.XXX±0.020
		PRODUCT NUMBER:	3151-122	
				SHEET 1 OF 1