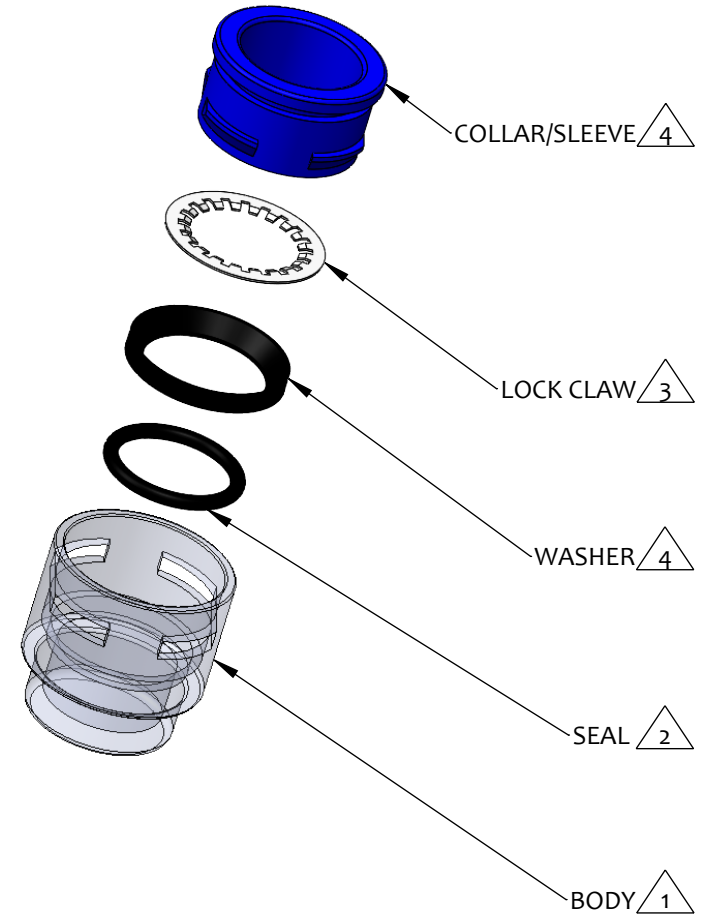
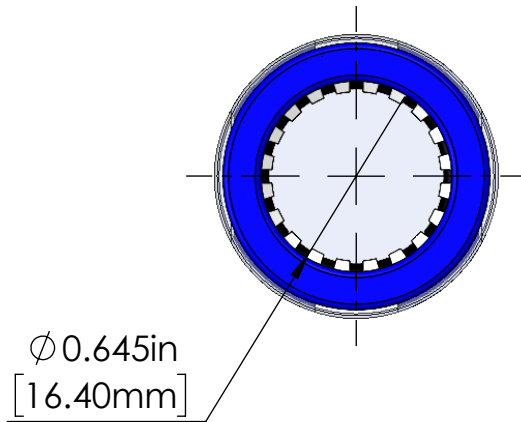
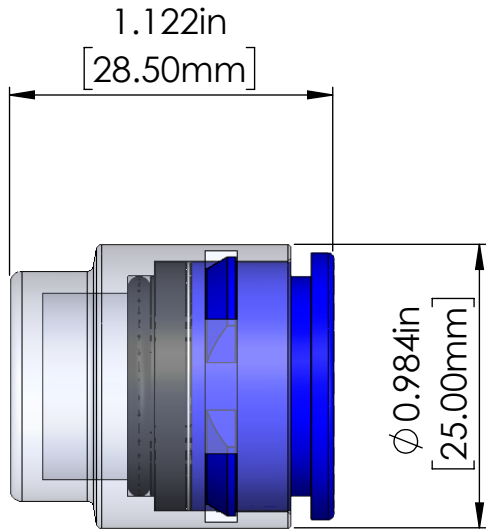



PRODUCT NUMBER	CAP SIZE	COLOR
3151-160	16mm	BLUE



NOTES:

- 1 Material: Polycarbonate
- 2 Material: Nyrile
- 3 Material: Stainless Steel
- 4 Material: Acetal

TITLE	MICRODUCT CAP, 16mm, BLUE		 www.CalAm.net	
PROPRIETARY AND CONFIDENTIAL THE INFORMATION CONTAINED IN THIS DRAWING IS THE SOLE PROPERTY OF CAL AM MANUFACTURING. ANY REPRODUCTION IN PART OR AS A WHOLE WITHOUT THE WRITTEN PERMISSION OF CAL AM MANUFACTURING IS PROHIBITED.	DRAWN	M. STOMA		DATE: 11-30-2023
	DRAWING NO.	3151-160 MKT		UNLESS OTHERWISE SPECIFIED DIMENSIONS ARE IN INCHES TOLERANCES: X±0.1 X.X±0.05 X.XX±0.030 X.XXX±0.020
	REVISION	A		
	SCALE:	3:2		PRODUCT NUMBER: 3151-160
			SHEET 1 OF 1	