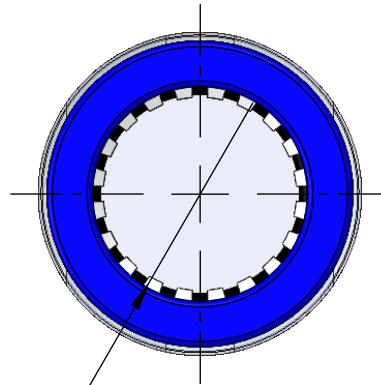
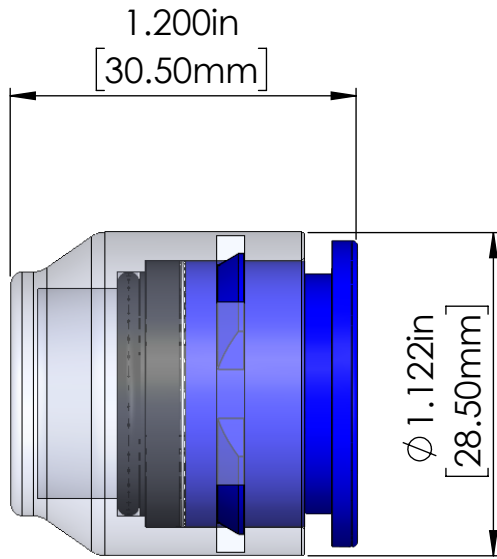
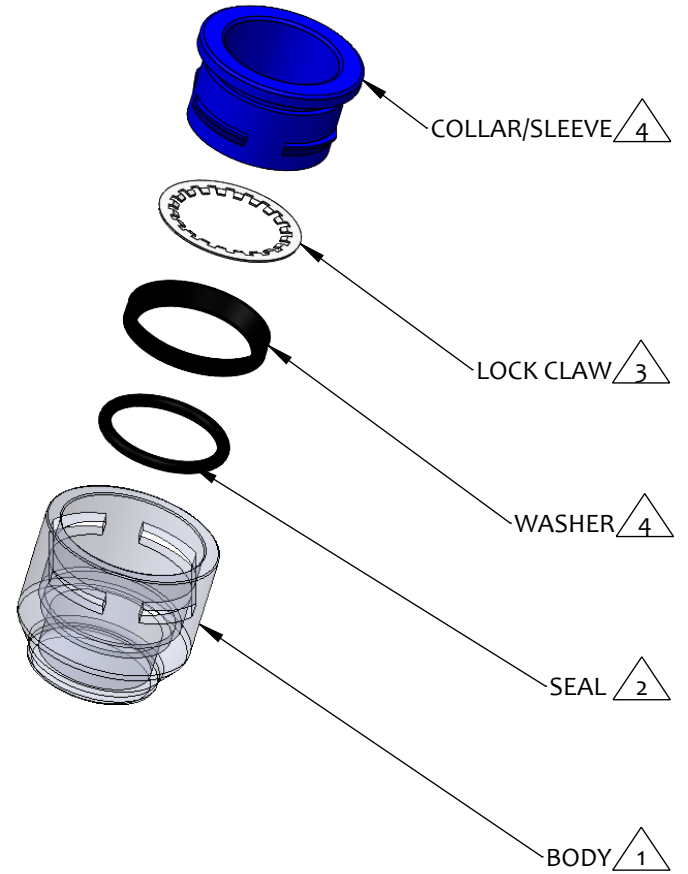


PRODUCT NUMBER	CAP SIZE	COLOR
3151-180	18/14mm	BLUE



$\phi 0.728\text{in}$
[18.50mm]



NOTES:

- 1 Material: Polycarbonate
- 2 Material: Nyrile
- 3 Material: Stainless Steel
- 4 Material: Acetal

TITLE	MICRODUCT CAP, 18/14mm, BLUE		
PROPRIETARY AND CONFIDENTIAL THE INFORMATION CONTAINED IN THIS DRAWING IS THE SOLE PROPERTY OF CAL AM MANUFACTURING. ANY REPRODUCTION IN PART OR AS A WHOLE WITHOUT THE WRITTEN PERMISSION OF CAL AM MANUFACTURING IS PROHIBITED.	DRAWN	M. STOMA	DATE: 11-30-2023
	DRAWING NO.	3151-180 MKT	UNLESS OTHERWISE SPECIFIED DIMENSIONS ARE IN INCHES TOLERANCES: X±0.1 X.X±0.05 X.XX±0.030 X.XXX±0.020
	REVISION	A	
	SCALE:	3:2	PRODUCT NUMBER: 3151-180



SHEET 1 OF 1